

Katalog náhradních dílů pro
průmyslový šicí stroj

GARUDAN®

FT-7000 serie



ANITA B s.r.o.

Hliníky 2068

680 01 Boskovice

Czech Republic

fax: +420 516 452 751

tel: +420 516 454 774,

+420 516 453 496

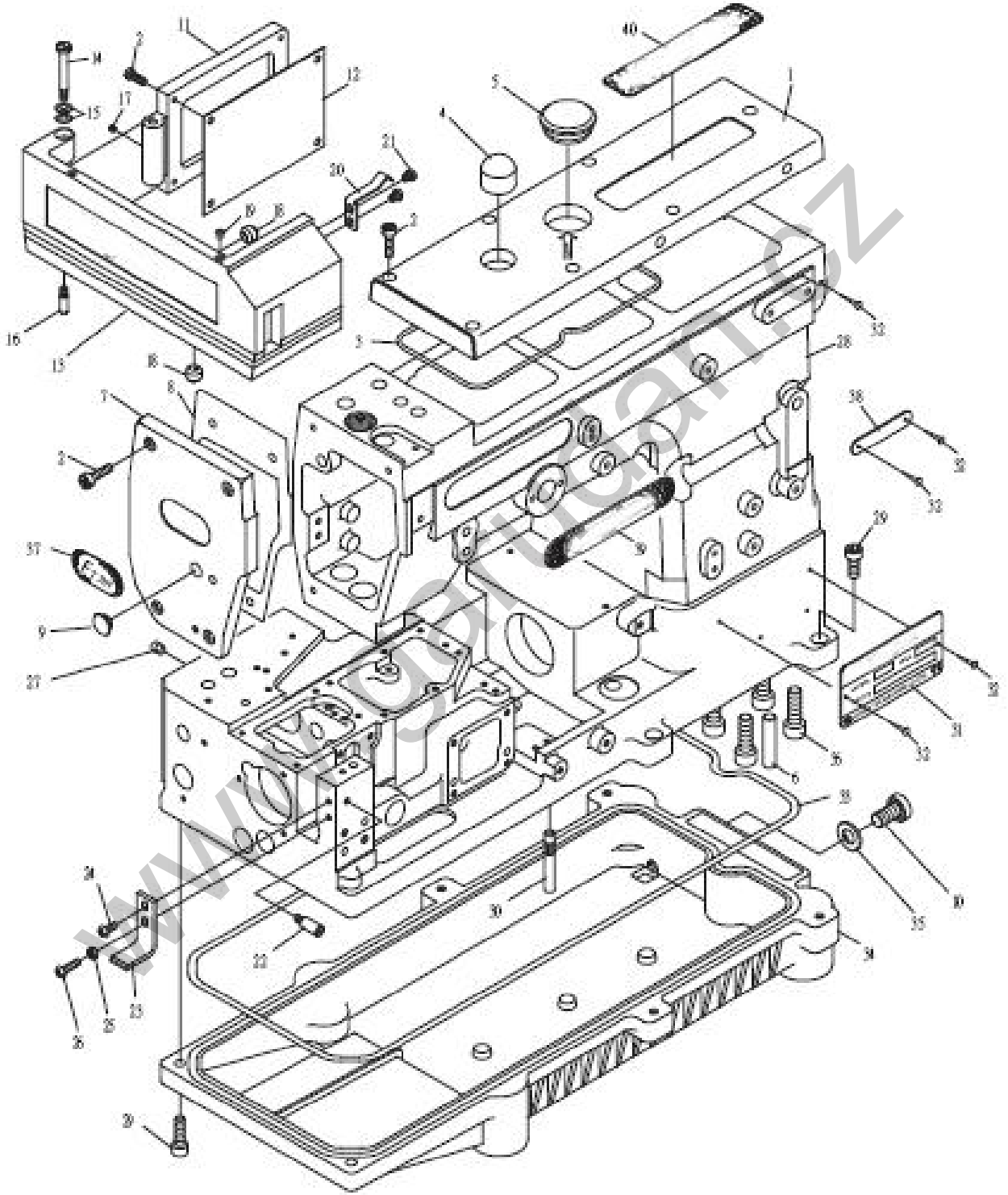
e-mail: info@anita.cz

www.garudan.cz

OBSAH

1.	Frame Components	1
2.	Frame Components	3
3.	Thread Tension Mechanism (FT7000)	7
4.	Bushing And Oil Seal	11
5.	Lower Main Shaft Components	13
6.	Upper Main Shaft Components	17
7.	Needle Bar Mechanism	19
8.	Presser Foot Mechanism	21
9.	Spreader Mechanism (FT7000 Only)	23
10.	Looper Mechanism	25
11.	Feed Mechanism	27
12.	Needle Guide And Feed Driving	29
13.	Lubrication Mechanism	31
14.	Thread Stand 66707	35
15.	Supporting Board	37
16.	Accesseries	39
17.	Gauge Parts List	41

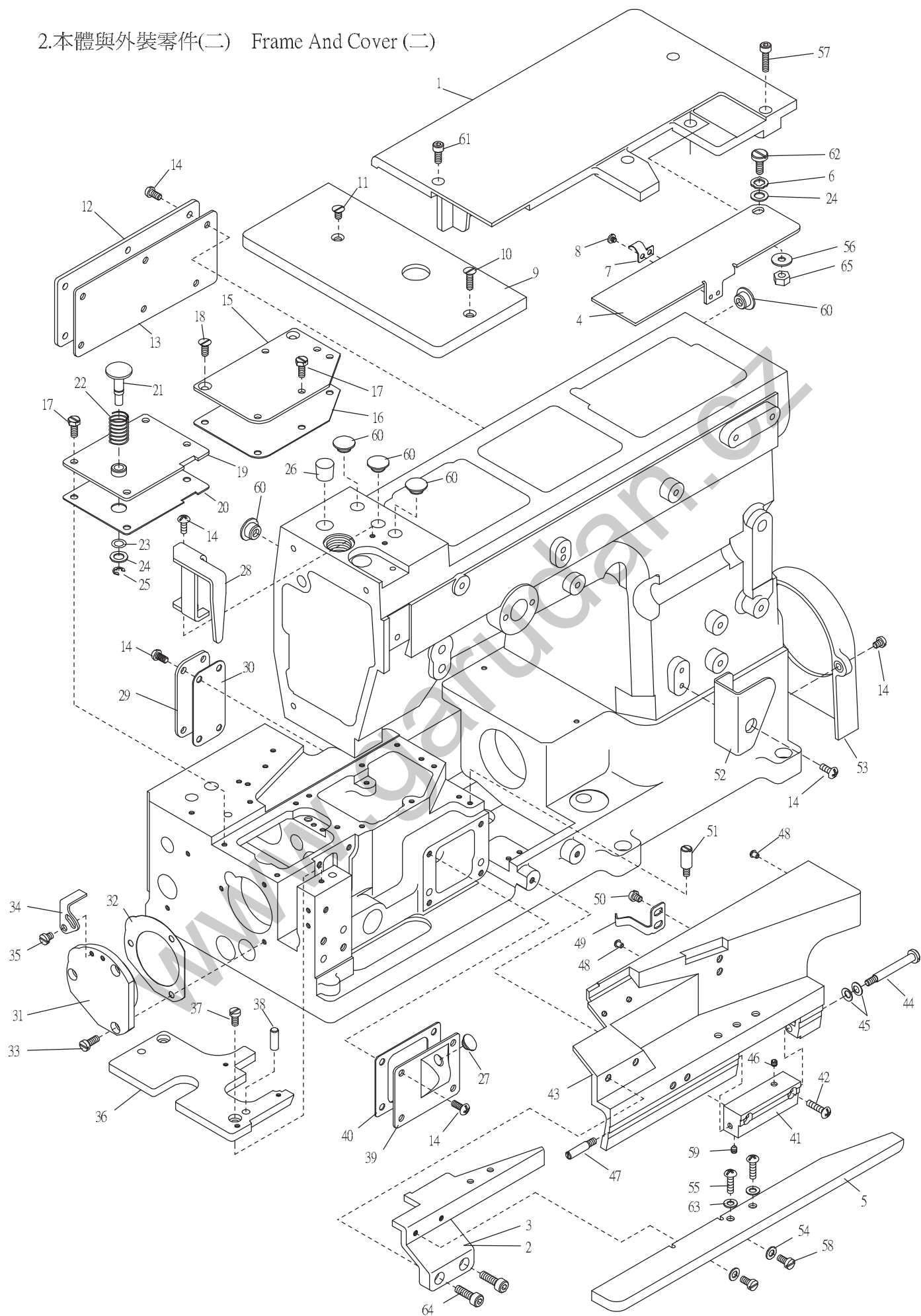
1.本體與外裝零件(一) Frame And Cover (一)



1.本體與外裝零件(一) Frame And Cover (一)

序號	物料編號	名稱	單位用量
Ref. No.	Parts Number	Description	Amt.Req.
1	2220000101	上軸蓋 Top Cover -----	1
2	8MC04281207D	螺絲 Screw (CT0102 M4-0.7*12) -----	15
3	2200000103	油封 Gasket (CT0103) -----	1
4	2200000104	油鏡 Oil Window (CT0104) -----	1
5	22000001051	孔塞 Plug (CT01051)白色-----	1
6	2200000139	定位銷 Knock Pin (CT0139)-----	2
7	2220000107	針棒蓋 Needle Cover -----	1
8	2200000108	油封 Gasket -----	1
9	22000001091	孔塞 Plug (CT01091) 白色-----	1
10	8SM95281017A	螺樁 Stud (SH0243 3/8"-28*10) -----	1
11	2210000111	封蓋 Oil Filter Cover -----	1
12	2210000112	油封 Gasket -----	1
13	2280000113	側蓋 Oil Filter Cover -----	1
14	8MB04283809E	螺樁 Stud (CT0227 M4-0.7*38) -----	1
15	2200000228	盂形墊圈 Disk Washer (CT0228) -----	2
16	8MB04280605M	螺樁 Stud (CT0230 M4-0.7*6) -----	1
17	8MN04280400A	螺絲 Screw (CT0229 M4-0.7*4) -----	1
18	2210000118	減震橡膠 Rubber Cushion -----	2
19	2210000119	減震橡膠 Rubber Cushion -----	2
20	2210000120	夾簧 Latch Spring -----	1
21	8MC04280507D	螺絲 Screw (CT0122 M4-0.7*8) -----	2
22	8MB04280707M	螺樁 Stud (FT0122 M4-0.7*21) -----	1
23	2280000123	支架 Side Cover Holder -----	1
24	8MC04280807D	螺絲 Screw (CT0130 M4-0.7*8) -----	1
25	8MA04280307A	螺帽 Nut (CT0238 M4-0.7*3) -----	1
26	8MB04281607A	螺絲 Screw (CT0724 M4-0.7*16) -----	1
27	2200000136	孔塞 Plug (CT0136) -----	1
28	2280000128	車頭 Frame Unit -----	1
29	8MM06402010A	螺絲 Screw (SH0444 M6-1*20) -----	6
30	2210000130	下座腳樁 Supporting Bar -----	4
31	66485-1	車型銘板 Model Plate -----	1
32	66620	鉚釘 Rivet (6620) -----	4
33	2210000133	油封 Gasket -----	1
34	2210000134	油盤 Oil Reservoir -----	1
35	2100000244	油封 Seal (Sh0244)-----	1
36	8MM10603016A	螺絲 Screw (CT0138 M10-1.5*30) -----	4
37	66485-3	針棒蓋銘板 Model Plate -----	1
38	66480-14	機器號碼牌 Machine No. Plate -----	1
39	66485-4	上車頭銘板 Model Plate -----	1
40	66485-5	上蓋銘板 Top Cover Plate -----	1

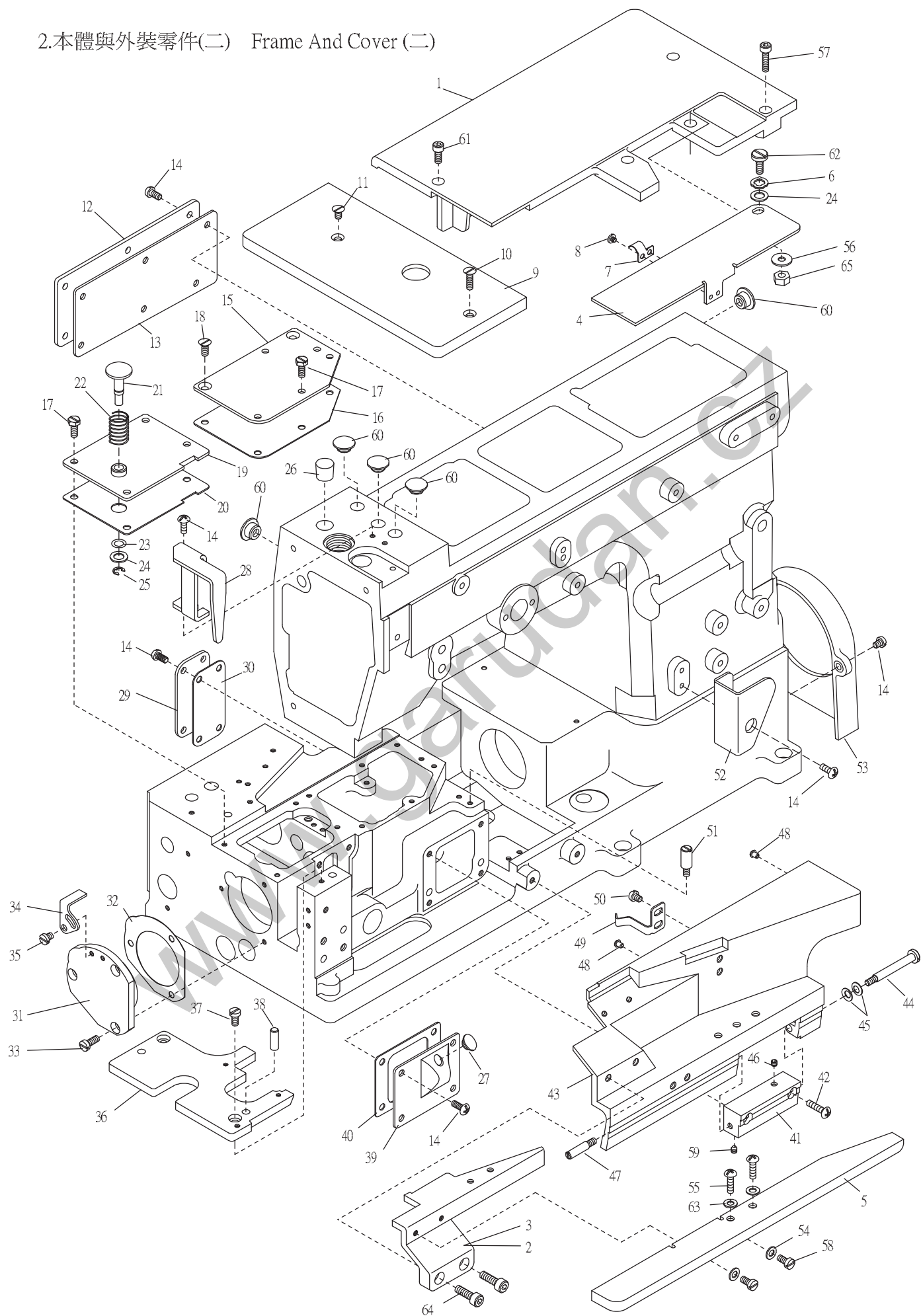
2.本體與外裝零件(二) Frame And Cover (二)



2.本體與外裝零件(二) Frame And Cover (二)

序號	物料編號	名稱	單位	用量
Ref. No.	Parts Number	Description	Amt.	Req.
1	2210000201	封蓋 Rear Cover -----	1	1
*2	2280000202	下座前蓋活動塊 Movable Block -----	1	1
**3	2280000203	下座前蓋活動塊 Movable Block -----	1	1
*4	22100002041	護線蓋 Cloth Plate -----	1	1
5	2280000205	下座前蓋支架 Front Cove Holder -----	1	1
6	90WW060	波形墊圈 Wave Washer (Ct0124)-----	1	1
7	2210000207	夾簧 Latch Spring -----	1	1
8	8MB03200306A	螺絲 Screw (UTB0436 M3-0.5*2.5) -----	2	2
9	2280000209	左布板 Cloth Plate -----	1	1
10	8ME04281408A	螺絲 Screw (CT1140 M4-0.7*14) -----	1	1
11	8ME04280708A	螺絲 Screw (CT0206 M4-0.7*7) -----	1	1
12	2200000210	封蓋 Rear Cover (CT0210) -----	1	1
13	2200000209	油封 Gasket (CT0209)-----	1	1
14	8MC04280807D	螺絲 Screw (CT0130 M4-0.7*8) -----	19	19
15	2210000215	封蓋 Oil Filter Cover -----	1	1
16	2210000216	油封 Gasket -----	1	1
17	8MK04281007A	螺絲 Screw (FT0217 M4-0.7*10) -----	9	9
18	8ME04281008A	螺絲 Screw (FT0218 M4-0.7*10) -----	2	2
19	2210000219	封蓋 Oil Filter Cover -----	1	1
20	2210000220	油封 Gasket -----	1	1
21	2210000221	止動銷 Stopper Pin -----	1	1
22	2210000222	彈簧 Spring -----	1	1
23	90OR060	油環 OIL Rin (P6)-----	1	1
24	2200000910	墊圈 Washer (CT0910) -----	2	2
25	90ER040	E形扎環 E Ring -----	1	1
26	22000002081	孔塞 Plug (CT02081) 白色-----	1	1
27	22100002271	孔塞 Plug (FT02271) 白色-----	1	1
28	2200000212	針棒護蓋 Needle Bar Protector -----	1	1
29	2210000229	封蓋 Oil Filter Cover -----	1	1
30	2210000230	油封 Gasket -----	1	1
31	2210000231	軸承座 Crankshaft Bushing -----	1	1
32	2210000232	油封 Gasket -----	1	1
33	8MB04281007K	螺絲 Screw (CT1237 M4-0.7*10) -----	3	3
34	2210000234	止動鉤 Pushbutton Stop -----	1	1
35	8MB04280507K	螺絲 Screw (FT0235 M4-0.7*5) -----	2	2
36	2210000236	針板座 Needle Plate Seat -----	1	1
37	8MB04280807K	螺絲 Screw (CT0215 M4-0.7*8) -----	2	2
38	2210000238	定位銷 Knock Pin -----	2	2
39	2210000239	封蓋 Oil Filter Cover -----	1	1
40	2210000240	油封 Gasket -----	1	1
41	2280000241	絞鏈 Hinge -----	1	1
42	8MC04281407D	螺絲 Screw (CT0225 M4-0.7*14) -----	2	2
43	2280000243	下座前蓋 Front Cover -----	1	1
44	8MB04284209E	螺樁 Stand (FT0244 M4-0.7*42) -----	1	1
45	2200000228	孟形墊圈 Disk Washer (CT0228) -----	2	2
46	8MN04280400A	螺絲 Screw (CT0229 M4-0.7*4) -----	1	1
47	8MB04280705M	螺樁 Stand (FT0247 M4-0.7*7) -----	1	1
48	2210000119	減震橡膠 Rubber Cushion -----	2	2
49	22100002491	夾簧 Latch Spring -----	1	1
50	8MC04280507D	螺絲 Screw (CT0122 M4-0.7*5) -----	2	2

2.本體與外裝零件(二) Frame And Cover (二)



2.本體與外裝零件(二) Frame And Cover (二)

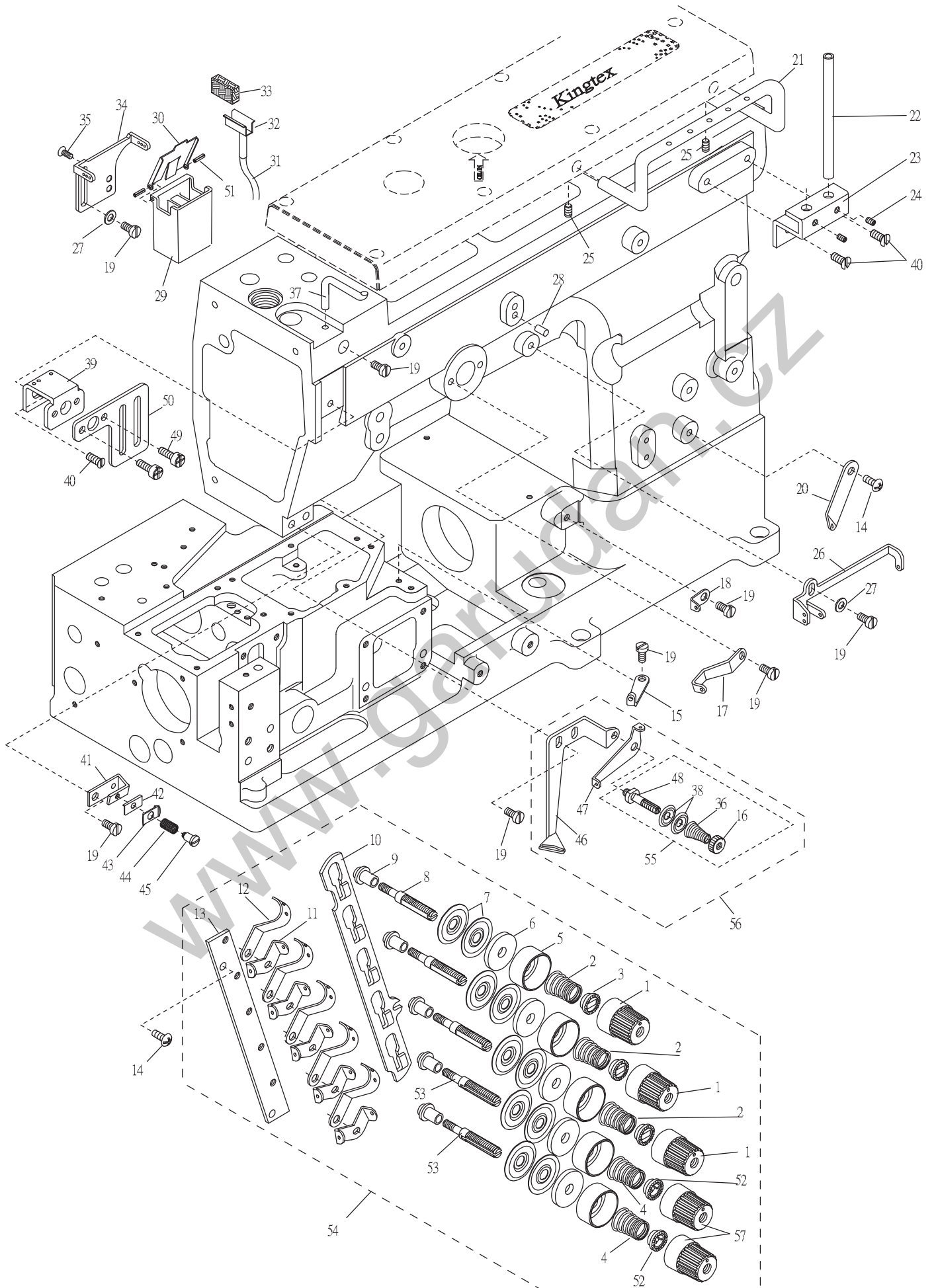
序號	物料編號	名稱	單位用量
Ref. No.	Parts Number	Description	Amt.Req.
51	8MB04280707M	螺椿 Stand (FT0122 M4-0.7*7) -----	1
52	2220000243	底線護蓋 Thread Protect Plate (CT0243) -----	1
53	2210000253	冷卻風扇護蓋 Oil Cooling Fan Guard -----	1
54	2100000223	墊圈 Washer -----	2
55	8MC05321209D	螺絲Screw (F02-55 M5-0.8*12) -----	4
56	22100090124	墊圈 Washer -----	1
57	8MM04281607A	螺絲 Screw (FT0202 M4-0.7*16) -----	3
58	8MB04281207K	螺絲 Screw (CT0239 M4-0.7*12) -----	2
59	8MN04280500C	螺絲 Screw (FT1222 M4-0.7*5) -----	1
60	22000001091	孔塞 Plug (CT01091)-----	5
61	8MM04281007A	螺絲 Screw(FT0203 M4-0.7*10) -----	1
62	2210090121	螺絲 Screw -----	1
63	2200001025	墊圈 Washer -----	2
64	8MM05321409A	螺絲 Screw (CT0632 M5-0.8*14) -----	2
65	8MA95300307A	螺帽 Nut -----	1

* : 40M,48M,56M 用For 40M,48M,56M

** : 64M 用For 64M

www.garudan.cz

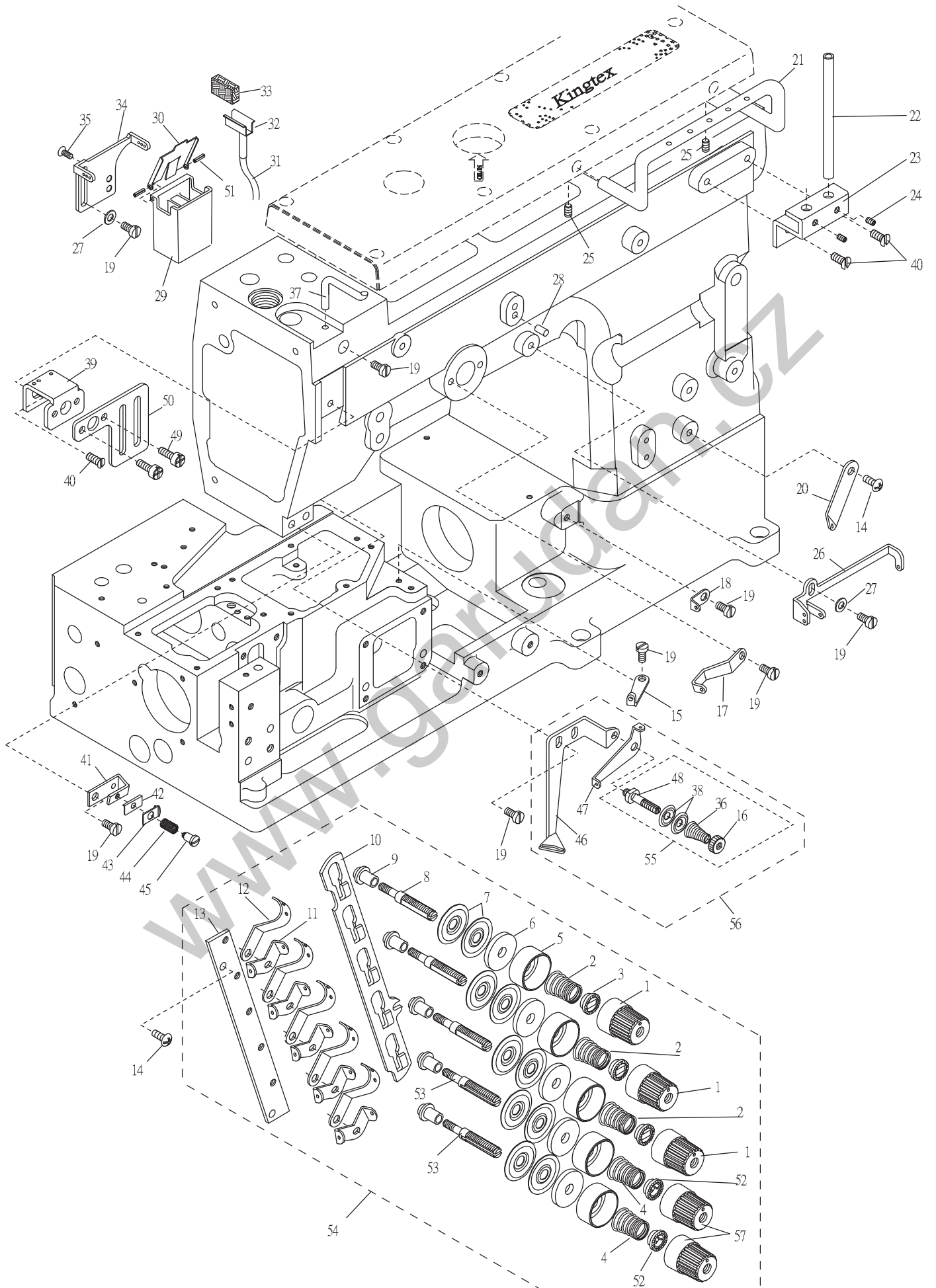
3. 導針與張力調整零件(FT7000用) Thread Guide And Tension Components (For Ft7000)



3.導針與張力調整零件(FT7000用) Thread Guide And Tension Components (For FT7000)

序號	物料編號	名稱	單位用量
Ref. No.	Parts Number	Description	Amt.Req.
1	2100001121	張力調整螺帽 Tension Nut (Red) (Sh1121)	3
2	2100001123	彈簧 Spring (Red) (SH1123)	3
3	2200000303	套管 Bushing (CT0303)	3
4	2100041131	彈簧 Spring (Yellow) (SH1131)	2
5	2200000305	彈簧座 Spring Seat (CT0305)	5
6	2100001127	羊毛氈 Felt (SH1127)	5
7	2100001126	張力控制盤 Tension Disc (SH1126)	10
8	22000003081	螺樁 Stud (CT0308)	3
9	22000003091	隔環 Spacer (CT0309)	5
10	2220000310	鬆線滑板 Release Wedge	1
11	2200000311	導線 Thread Guide (CT0311)	5
12	2200000312	導線 Thread Guide (CT0312)	5
13	2220000313	張力控制組座 Tension Post Support	1
14	8MC04280807D	螺絲 Screw (CT0130 M4-0.7*8)	3
15	2210000315	導線 Thread Guide	1
16	2200000357	螺帽 Nut (CT0357)	1
17	2210000317	導線 Thread Guide	1
18	2210000318	導線 Thread Guide	1
19	8MB04280807K	螺絲 Screw (CT0215 M4-0.7*8)	9
20	2200000317	導線 Thread Guide (CT0317)	1
21	2220000331	導線桿 Thread Guide	1
22	2200000327	導線管 Thread Guide Pipe	2
23	2220000328	導線座 Thread Guide Holder	1
24	8MN03200500A	螺絲 Screw (STB0116 M3-0.5*5)	2
25	8MN04280600A	螺絲 Screw (CT1223 M4-0.7*6)	2
26	2210000326	導線 Thread Guide	1
27	2100000223	墊圈 Washer W3	2
28	90ST0410	定位銷 Knock Pin	1
29	22000003351	油杯 Cooler Oil Tank (CT0335)	1
30	2200000336	油杯蓋 Cooler Oil Tank Cover (CT0336)	1
31	66800	油線 Oil Wick	1
32	2200000338	線夾 Wick Clamp (CT0338)	1
33	2200000339	羊毛氈 Felt (CT0339)	1
34	2200000340	導線 Thread Guide (CT0340)	1
35	8TE03440806A	螺絲 Screw	2
36	2200000356	彈簧 Spring (CT0356)	1
37	2200000343	導線 Thread Guide (CT0343)	1
38	2200000355	張力控制盤 Tension Disc (CT0355)	2
39	2200000345	導線 Thread Guide (CT0345)	1
40	8ME04280708A	螺絲 Screw (CT0206 M4-0.7*7)	3
41	2200000347	張力控制組座 Thread Retainer Support (CT0347)	1
42	2200000348	針線控制板 Thread Guide Plate (CT0348)	1
43	2200000349	針線控制壓板 Tension Control plate (CT0349)	1
44	22000003501	彈簧 Spring (CT0350)	1
45	8MC03200807G	螺樁 Stud (CT0351 M3-0.5*8)	1
46	2210000346	導線 Thread Guide	1
47	2200000353	導線 Thread Guide (CT0353)	1
48	2200000354	螺樁 Stud (CT0354)	1
49	8MC04280507D	螺絲 Screw (CT0122 M4-0.7*5)	2
50	2200000359	揚線臂護線罩 Takeup Arm Protect (Ct0359)	1

3. 導針與張力調整零件(FT7000用) Thread Guide And Tension Components (For Ft7000)

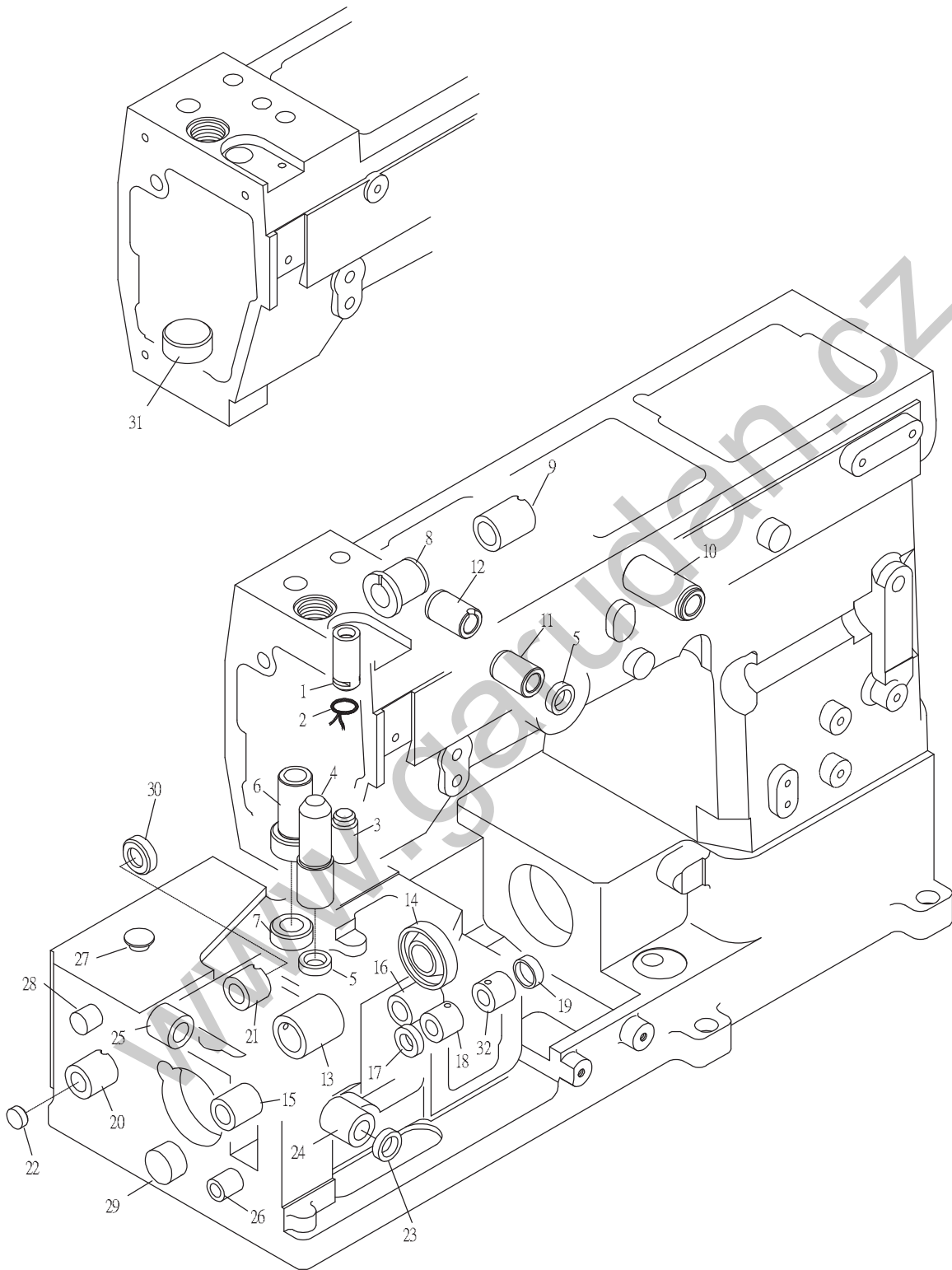


3.導針與張力調整零件(FT7000用) Thread Guide And Tension Components (For FT7000)

序號	物料編號	名稱	單位用量
Ref. No.	Parts Number	Description	Amt.Req.
51	90SP0206	彈簧銷 Spring Pin (CT0360) -----	2
52	2100001122	套管 Bushing (SH1122) -----	2
53	22000003611	螺椿 Stud (CT0361) -----	2
54	222A0000370	鬆線組 Thread Tension Mechanism Asm.-----	1
55	227A0000342	張力控制組 Thread Retainer Asm -----	1
56	221A0000356	鬆線組 Thread Tension Mechanism Asm. (F0346A)-----	1
57	2100001121A	張力調整螺帽 Tension Nut (Yellow) (Sh1121)-----	2

www.garudan.cz

4.軸襯與油封 Bushing And Seal



4.軸襯與油封 Bushing And Seal

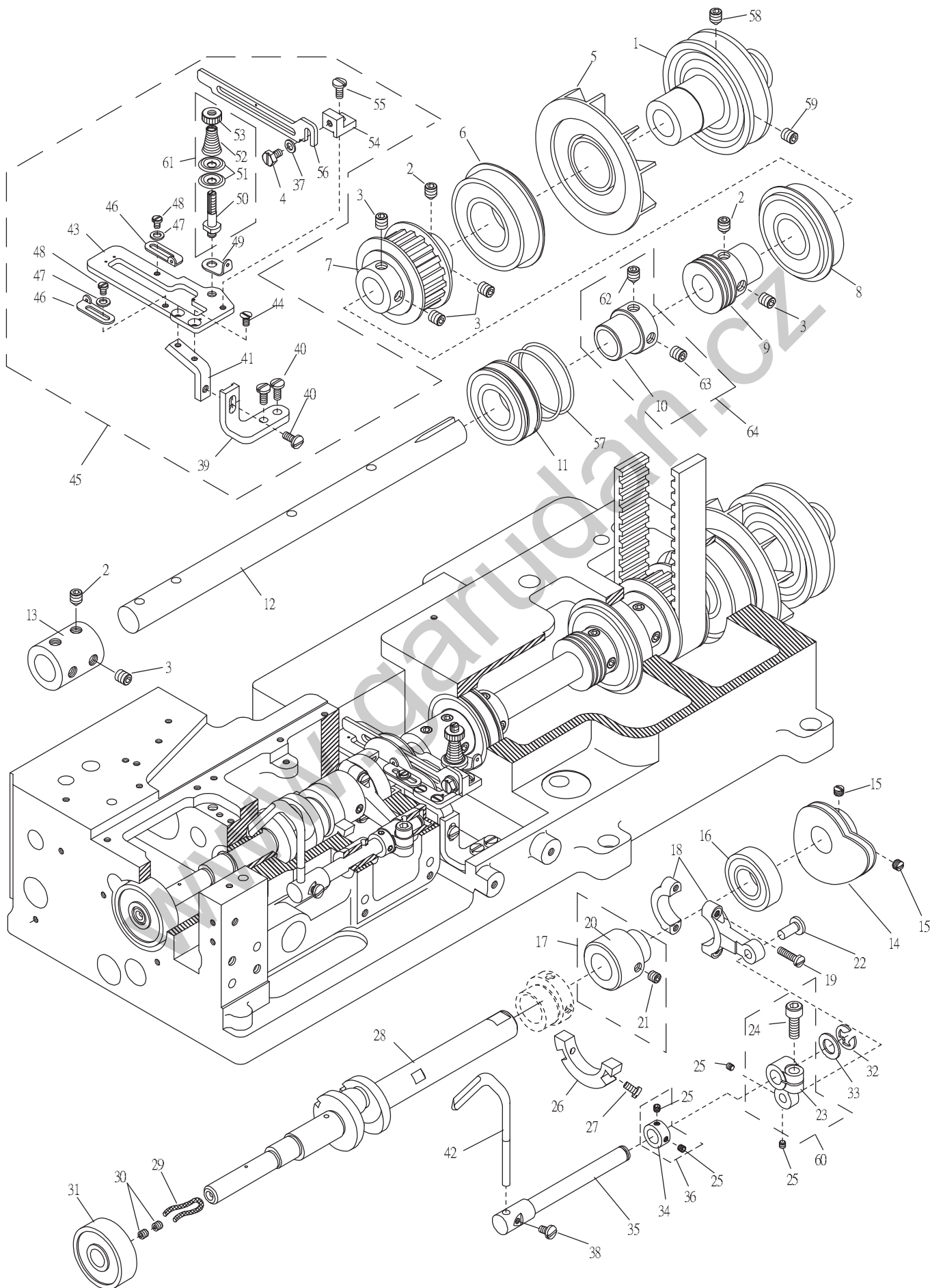
序號	物料編號	名稱	單位用量
Ref. No.	Parts Number	Description	Amt.Req.
1	2210000401	軸襯 Bushing -----	1
2	66800	油線 Oil Wick -----	1
3	2210000403	軸襯 Bushing -----	1
4	2210000404	軸襯 Bushing -----	1
5	2200000404	油封 Oil Seal (CT0404) -----	2
*6	2220000405	軸襯 Bushing -----	1
*7	2200000406	油封 Oil Seal (CT0406) -----	1
*8	2210000408	軸襯 Bushing -----	1
*9	2200000408	軸襯 Bushing (CT0408) -----	1
10	2200000409	軸襯 Bushing (CT0409) -----	1
11	2200000410	軸襯 Bushing (CT0410) -----	1
12	2200000411	軸襯 Bushing (CT0411) -----	1
13	2210000413	軸襯 Bushing -----	1
14	2210000414	油封 Oil Seal -----	1
15	2210000415	軸襯 Bushing -----	1
16	2210000416	軸襯 Bushing -----	1
17	2210000417	油封 Oil Seal -----	1
18	2210000418	軸襯 Bushing (Left) -----	1
19	2210000419	孔塞 Plug -----	1
20	2210000420	軸襯 Bushing -----	1
21	2210000421	軸襯 Bushing -----	1
22	2210000422	孔塞 Plug -----	1
23	2210000423	油封 Oil Seal -----	1
24	2210000424	軸襯 Bushing -----	1
25	2210000425	軸襯 Bushing -----	1
26	2210000426	軸襯 Bushing -----	1
27	22000001091	孔塞 Plug (CT01091) 白色 -----	1
28	22000002081	孔塞 Plug (CT02081) 白色 -----	1
29	2210000429	孔塞 Plug -----	1
30	2210000430	孔塞 Plug -----	1
**31	2200000422	孔塞 Plug (CT0422) -----	1
32	2210000432	軸襯 Bushing (Right) -----	1

*具有上飾線 With top cover thread

**不具有上飾線 Without top cover thread

www.garudan.com

5. FT4600/FT4700/FT6200/FT6500/FT7000 下軸與相關零件
Lower Main Shaft Components For FT4600/FT4700/FT6200/FT6500/FT7000

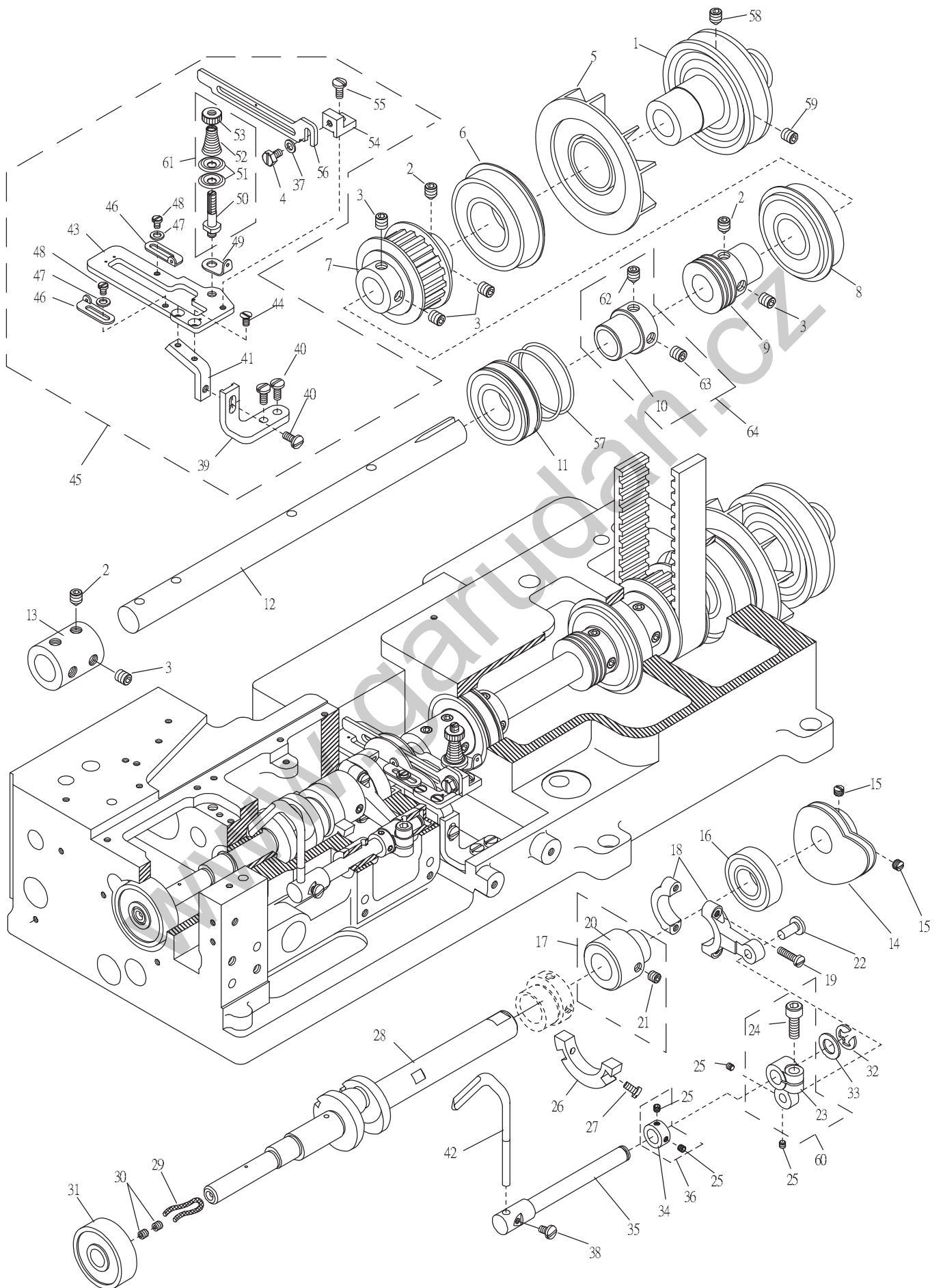


5. FT4600/FT4700/FT6200/FT6500/FT7000 下軸與相關零件

Lower Main Shaft Components For FT4600/FT4700/FT6200/FT6500/FT7000

序號	物料編號	名稱	單位用量
Ref. No.	Parts Number	Description	Amt. Req.
1	2210000501	皮帶輪 Belt Pulley -----	1
2	8MN06400800C	螺絲 Screw (C0502 M6-1*8) -----	4
3	8MN06400600A	螺絲 Screw (C0244 M6-1*6) -----	6
4	8MK85240607A	螺絲 Screw (FT0504 M3.5-0.6*6) -----	1
5	2210000505	冷卻風扇 Oil Cooling Fan -----	1
6	90BB2552154	滾珠軸承 Ball Bearing (CT0504) -----	1
7	2200000505	齒形皮帶輪 Timing Pulley (CT0505) -----	1
8	90BB2047144	滾珠軸承 Ball Bearing (CT0506) -----	1
9	2210000509	蝸桿 Worm -----	1
10	2200000606	套管 Bushing (CT0606)-----	1
11	90BB2042126	滾珠軸承 Ball Bearing -----	1
12	2210000512	軸 Shaft -----	1
13	2210000513	連軸器 Shaft Joint -----	1
14	2210000514	揚線凸輪 Looper Thread Takeup Cam -----	1
15	8MH05320400A	螺絲 Screw (C0523 M5-0.8*4)-----	2
16	90BB153209	滾珠軸承 Ball Bearing -----	1
17	221A0000562	偏心輪組 Eccentric Asm. (F0520A) -----	1
18	2210000518	連桿 Connecting Rod -----	1
19	8MB85241306K	螺絲 Screw (FT0519 M3.5-0.6*13) -----	2
20	2210000520	偏心輪 Eccentric -----	1
21	8MN05320500E	螺絲 Screw (C0903 M5-0.8*5) -----	2
22	2210000522	連結銷 Connecting Pin -----	1
23	2210000523	曲柄 Lever -----	1
24	8MM05321209A	螺絲 Screw (F0524 M5-0.8*12) -----	1
25	8MN03200300A	螺絲 Screw (C0115 M3-0.5*3) -----	4
26	2210000526	配重環 Counterweight -----	1
27	8MB03200606K	螺絲 Screw (C1207 M3-0.5*6) -----	2
28	2210000528	曲軸 Crank Shaft -----	1
29	66800	油線 Oil Wick -----	2
30	8MN04280400A	螺絲 Screw (C0229 M4-0.7*4) -----	2
31	90BB103511	滾珠軸承 Ball Bearing -----	1
32	90ER060	E形扎環 E Ring -----	1
33	2210000533	墊圈 Washer-----	1
34	2210000534	定位環 Collar -----	1
35	2210000535	後導針器驅動軸 Driving Shaft -----	1
36	221A0000563	定位環組 Collar Asm. (F0534A)-----	1
37	2100000223	墊圈 Washer (W3) -----	1
38	8MB85240407A	螺絲 Screw (FT0538 M3.5-0.6*5) -----	1
39	2210000539	支架 Support -----	1
40	8MB04280807K	螺絲 Screw (C0215 M4-0.7*8) -----	3
41	2210000541	承扳支臂 Support -----	1
42	5221NG00562	後導針器 Needle Guide (NGF00D2) -----	1
43	2210000543	導線承板 Thread Guide Seat -----	1
44	8ME03200606A	螺絲 Screw (C0235 M3-0.5*6) -----	2
45	221A0000545	導線組 Thread Guide Asm. (F0539A)-----	1
46	2210000546	導線 Thread Guide -----	2
47	2210000547	墊圈 Washer -----	2
48	8MB03200405A	螺絲 Screw (F0548 M3-0.5*4) -----	2
49	2210000318	導線 Thread Guide -----	1
50	2200000354	螺樁 Stud (Ct0354)-----	1

5. FT4600/FT4700/FT6200/FT6500/FT7000 下軸與相關零件
Lower Main Shaft Components For FT4600/FT4700/FT6200/FT6500/FT7000



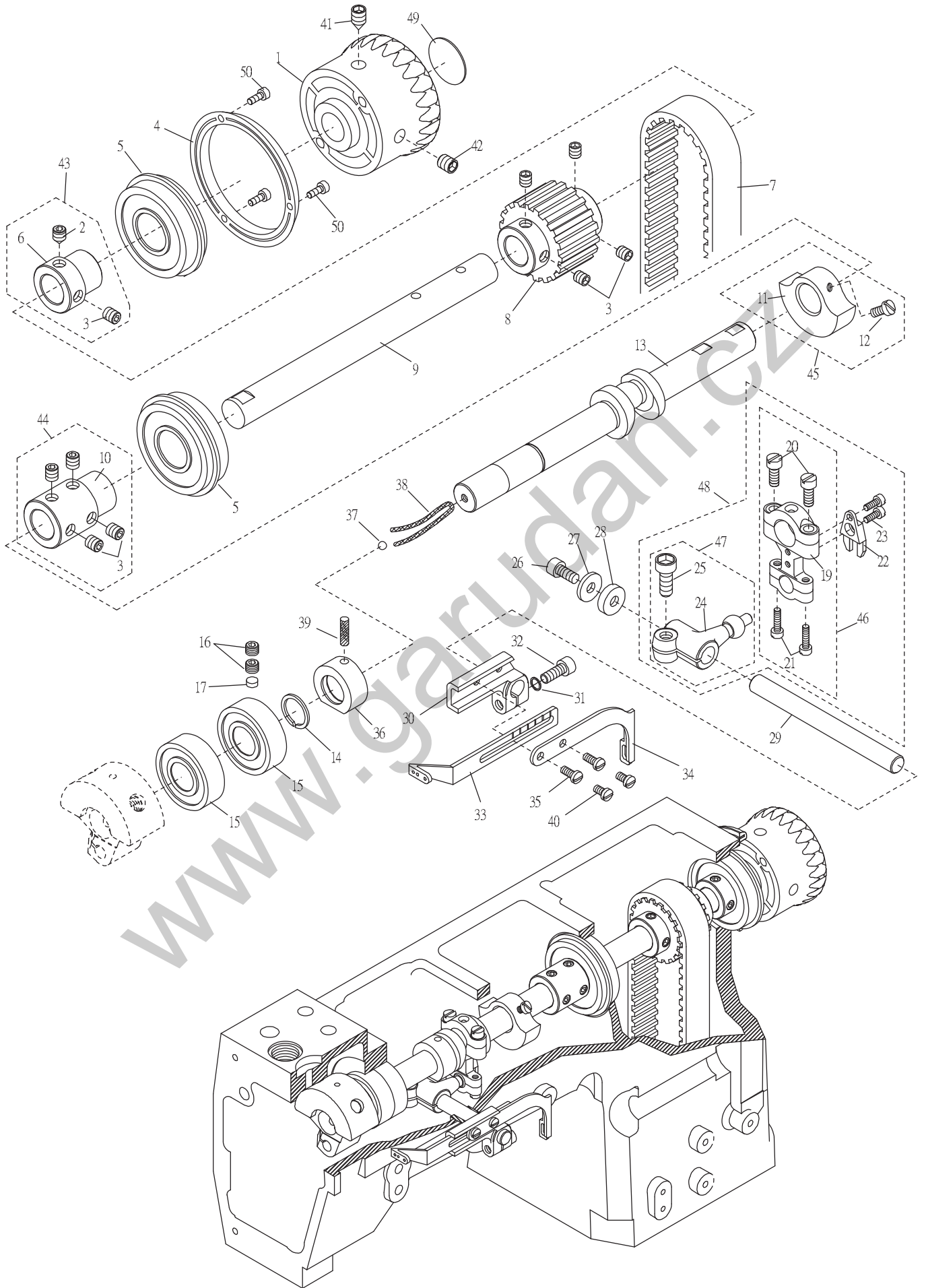
5. FT4600/FT4700/FT6200/FT6500/FT7000 下軸與相關零件

Lower Main Shaft Components For FT4600/FT4700/FT6200/FT6500/FT7000

序號	物料編號	名稱	單位用量
Ref. No.	Parts Number	Description	Amt. Req.
51	2200000355	張力控制盤 Tension Disc (CT0355) -----	2
52	2200000356	錐形彈簧 Spring (CT0356) -----	1
53	2200000357	螺帽 Nut (CT0357) -----	1
54	2210000554	支架 Support -----	1
55	8MB85240807K	螺絲 Screw (F0555 M3.5-0.6*8) -----	1
56	2210000556	導線 Thread Guide -----	1
57	2200000547	O形油環 O Ring (CT0547) -----	2
58	8MN06401100C	螺絲 Screw (C0548 M6-1*11) -----	1
59	8MN06400800A	螺絲 Screw (C0549 M6-1*8) -----	1
60	221A0000560	曲柄組 Collar Asm.(F0523A)-----	1
61	227A0000342	張力控制組 Thread Retainer Asm -----	1
62	8MN05320600C	螺絲 Screw (CT350248 M6-0.8*6) -----	1
63	8MN05320600A	螺絲 Screw (MT0729 M5-0.8*6) -----	1
64	222A0000645	套管接頭組 Joint Asm -----	1

www.garudan.cz

6. FT7000 上軸與相關零件 Upper Main Shaft Components For Ft7000

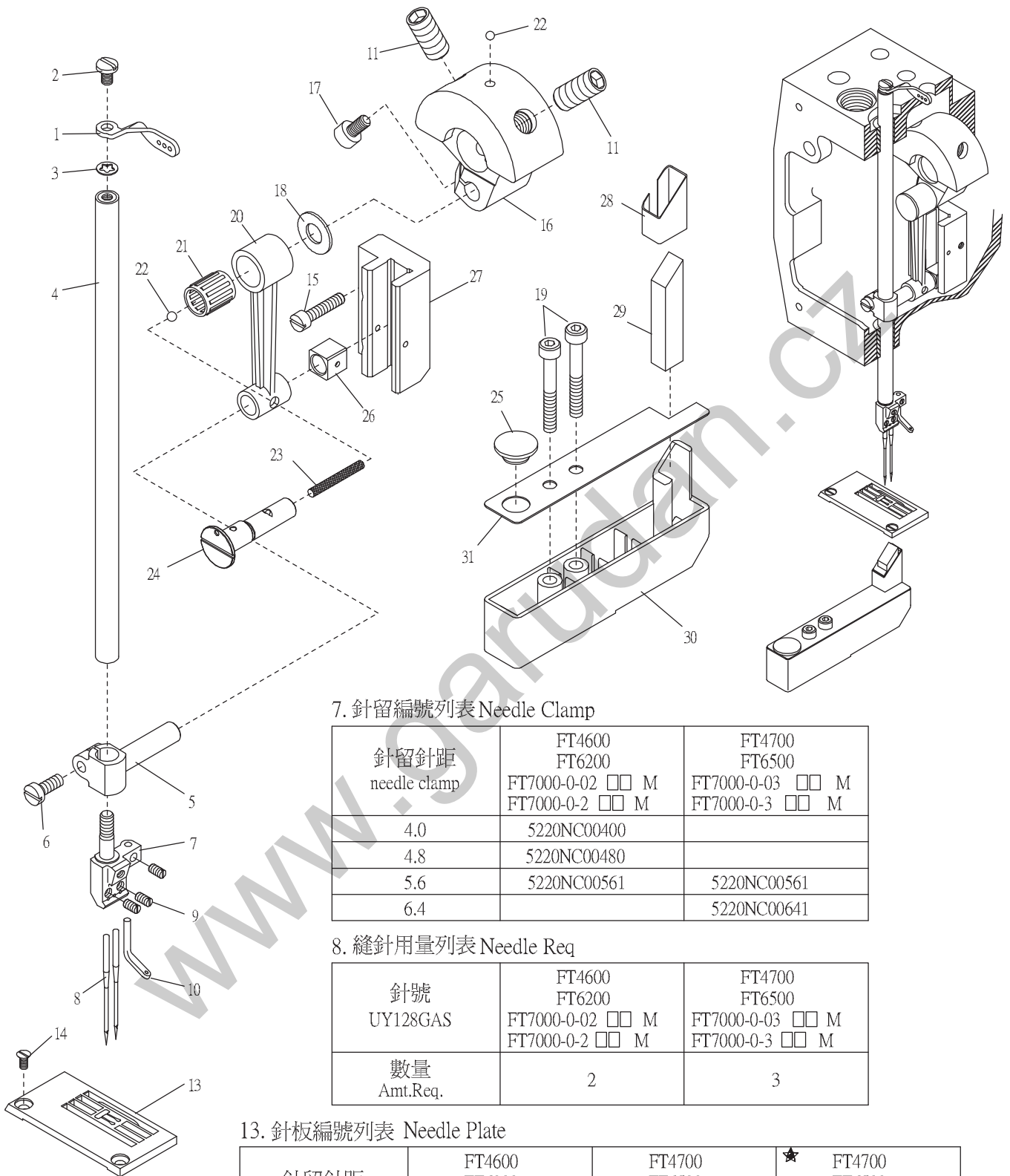


6. FT7000 上軸與相關零件 Upper Main Shaft Components For FT7000

序號 Ref. No.	物料編號 Parts Number	名稱 Description	單位用量 Amt. Req.
1	2280000601	手輪 Handwheel -----	1
2	8MN06400800C	螺絲 Screw (C0502 M6-1*8) -----	1
3	8MN06400600A	螺絲 Screw (CT0244 M6-1*6) -----	9
4	2220000604	軸端封蓋 Cover -----	1
5	90BB2047144	滾珠軸承 Ball Bearing (CT0506) -----	2
6	2200000606	套管接頭 Joint (CT0606) -----	1
7	2200000607	齒形皮帶 Timing Belt (CT0607) -----	1
8	2200000608	齒形皮帶輪 Timing Pulley (CT0608) -----	1
9	22200006091	軸 Shaft -----	1
10	2200000610	套管接頭 Joint (CT0610) -----	1
11	2200000509	平衡錘 Balance Weight (CT0509) -----	1
12	8MB04280807K	螺絲 Screw (C0215 M4-0.7*8) -----	2
13	2210000613	曲軸 Crank Shaft -----	1
14	90SCR150	C形軸用扣環 C Ring (CT0614) -----	1
15	90BB1535115	滾珠軸承 Ball Bearing (CT0615) -----	2
16	8MN06400500A	螺絲 Screw (C0513 M6-1*5) -----	2
17	2200000617	墊片 Rubber Seat (CT0617) -----	1
18	-----	-----	-
19	2200000619	連桿 Connecting Rod (CT0619) -----	1
20	8MB95301407K	螺絲 Screw (C0620 M4.5-0.75*14) -----	2
21	8MB85241006K	螺絲 Screw (C0621 M3.5-0.6*10) -----	2
22	2200000622	定向導軌 Orient Guide (CT0622) -----	1
23	8MB03200806K	螺絲 Screw (C0623 M3-0.5*8) -----	2
24	2200000624	曲柄 Ball Lever (CT0624) -----	1
25	8MM06401610A	螺絲 Screw (C0625 M6-1*16) -----	1
26	8MM05321009A	螺絲 Screw (C0626 M5-0.8*10) -----	1
27	2200000627	墊圈 Washer (CT0627) -----	1
28	2200000628	隔環 Spacer (CT0628) -----	1
29	2200000629	軸 Shaft (CT0629) -----	1
30	2200000630	承座 Bracket (CT0630) -----	1
31	90SW050	彈簧墊圈 Spring Washer (CT0631) -----	1
32	8MM05321409A	螺絲 Screw (C0632 M5-0.8*14) -----	1
33	2200000633	針線揚線桿 Thread Take-up (CT0633) -----	1
*34	2210000634	裝飾線揚線桿 Thread Take-up -----	1
*35	8MB85240806K	螺絲 Screw (C0635 M3.5-0.6*8) -----	2
36	2210000636	聚油環 Oil Sleeve -----	1
37	2100001404	孔塞 Plug (SH1404) -----	1
38	66800	油線 Oil Wick -----	1
39	66800	油線 Oil Wick -----	1
**40	8MB85240607K	螺絲 Screw (C0637 M3.5-0.6*6) -----	2
41	8MN06401100C	螺絲 Screw (C0548 M6-1*11) -----	1
42	8MN06400800A	螺絲 Screw (C0549 M6-1*8) -----	1
43	222A0000645	套管接頭組 Joint Asm -----	1
44	222A0000646	套管接頭組 Joint Asm -----	1
45	222A0000647	平衡錘組 Balance Weight Asm -----	1
46	222A0000648	連桿組 Connecting Rod Asm -----	1
47	222A0000649	曲柄組 Ball Lever Asm -----	1
48	222A0000650	連桿組 Connecting Rod Asm -----	1
49	66480-11	銘板 Plate -----	1
50	8MM03200606A	螺絲 Screw (CT130406 M3-0.5*6) -----	3

*具有上飾線 With top cover thread
 **不具有上飾線 Without top cover thread

7. FT4600 / FT4700 / FT6200 / FT6500 / FT7000 針棒與相關零件
 Needle Bar Components For FT4600 / FT4700 / FT6200 / FT6500 / Ft7000



7. 針留編號列表 Needle Clamp

針留針距 needle clamp	FT4600 FT6200 FT7000-0-02 □□ M FT7000-0-2 □□ M	FT4700 FT6500 FT7000-0-03 □□ M FT7000-0-3 □□ M
4.0	5220NC00400	
4.8	5220NC00480	
5.6	5220NC00561	5220NC00561
6.4		5220NC00641

8. 縫針用量列表 Needle Req

針號 UY128GAS	FT4600 FT6200 FT7000-0-02 □□ M FT7000-0-2 □□ M	FT4700 FT6500 FT7000-0-03 □□ M FT7000-0-3 □□ M
數量 Amt.Req.	2	3

13. 針板編號列表 Needle Plate

針留針距 Needle Plate	FT4600 FT6200 FT7000-0-02 □□ M FT7000-0-2 □□ M	FT4700 FT6500 FT7000-0-03 □□ M FT7000-0-3 □□ M	★ FT4700 FT6500 FT7000-0-03 □□ M FT7000-0-3 □□ M
4.0	5222TP00401		
4.8	5220TP00484		
5.6	5220TP00564	5220TP00564	5220TP00568
6.4		5220TP00642	5220TP00646

★ 薄類用

7. FT4600 / FT4700 / FT6200 / FT6500 / FT7000 針棒與相關零件

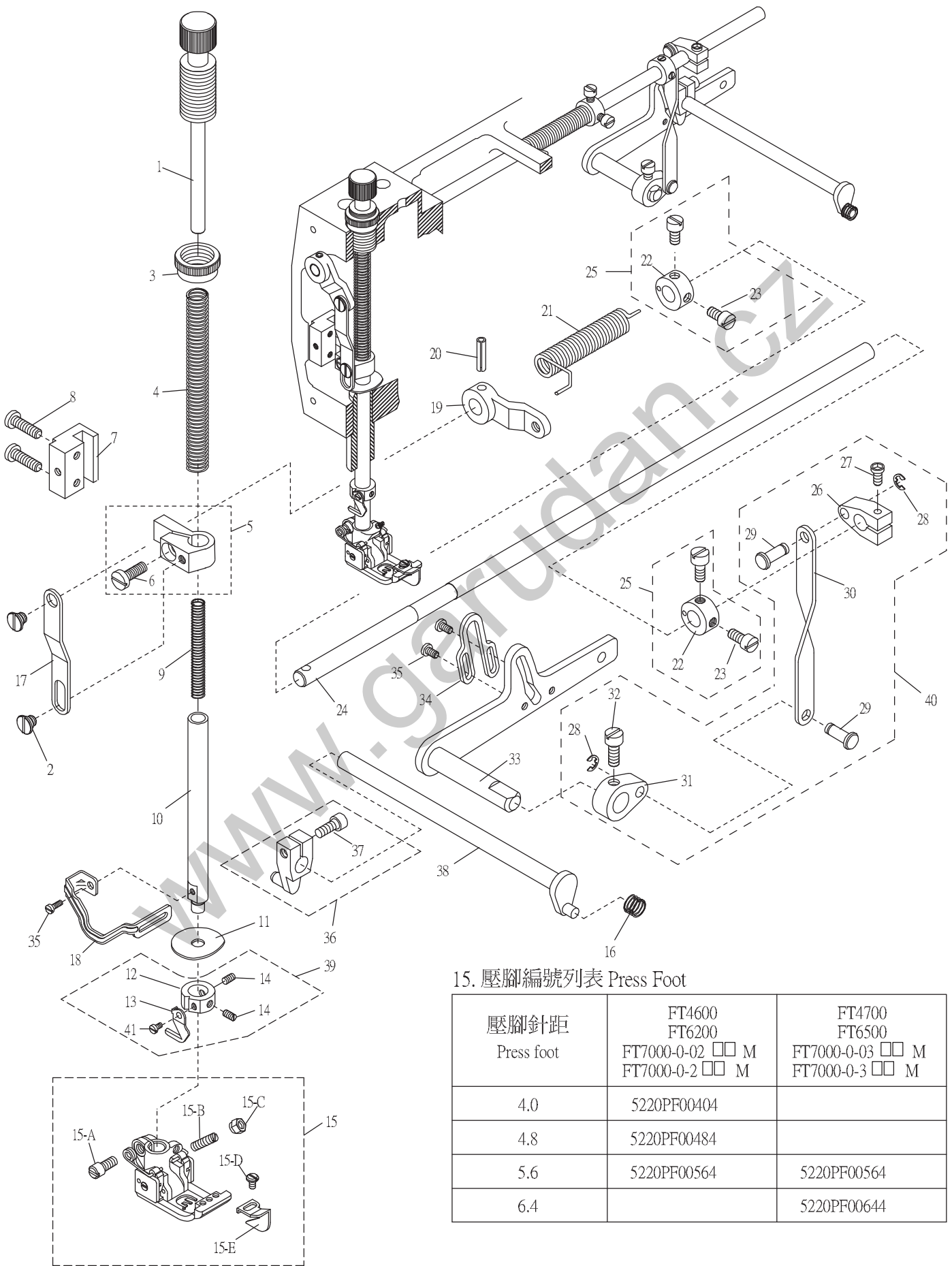
Needle Bar Components For FT4600 / FT4700 / FT6200 / FT6500 / FT7000

序號 Ref. No.	物料編號 Parts Number	名稱 Description	單位用量 Amt. Req.
1	2210000701	導線 Thread Guide -----	1
2	8MB85240607K	螺絲 Screw (C0637 M3.5-0.6*6) -----	1
3	2200000704	墊圈 Washer (CT0704) -----	1
4	2210000704	針棒 Needle Bar -----	1
5	2210000705	針棒驅動銷 Needle Bar Clamp -----	1
6	8MB95301107K	螺絲 Screw (C0706 M4.5-0.75*11) -----	1
7	-----	針留 Needle clamp (See Left Page) -----	1
8	-----	針 Needle --(UYX128GAS See Left Page) -----	-
9	8SH32440300A	螺絲 Screw (SH0465 1/8"-.44*2.5) -----	4
*10	2210000710	導線 Thread Guide (FT0710) -----	1
11	8MN08401600E	螺絲 Screw (Ct0618 M18-1*16) -----	2
12	-----	-----	-
13	-----	針板 Needle Plate (See Left Page) -----	1
14	8SF36400706C	螺絲 Screw (C0712 9/64"-40*7) -----	2
15	8MB04281607A	螺絲 Screw (C0724 M4-0.7*16) -----	2
16	2270000714	平衡錘 Balance Weight -----	1
17	8MM05321009A	螺絲 Screw (CT626 M5-0.8*10) -----	1
18	2270000716	墊圈 Washer (CT0716) -----	1
19	8MM04282507B	螺絲 Screw (FT0719 M4-0.7*25) -----	2
20	2210000720	連桿 Connecting Rod -----	1
21	90NB081113	滾針軸承 Ball Bearing (CT0719) -----	1
22	2100001404	孔塞 Plug (SH1404) -----	2
23	66800	油線 Oil Wick -----	1
24	2270000720	曲柄銷 Rod Pin -----	1
25	22000001091	孔塞 Plug (CT01019) 白色 -----	1
26	2200000722	滑塊 Slide Block (CT0722) -----	1
27	2210000727	滑道 Guide Block -----	1
28	2210000728	羊毛氈扣環 Felt Guard -----	1
29	2210000729	羊毛氈 Felt -----	1
30	22100007301	冷卻油槽 Cooler Oil Tank -----	1
31	2210000731	冷卻油槽蓋 Cooler Oil Tank Cover -----	1

*具有上飾線With top cover thread



8. FT4600 / FT4700 / FT6200 / FT6500 / FT7000 壓腳與相關零件
 Presser Foot Components For FT4600 / FT4700 / FT6200 / FT6500 / Ft7000



15. 壓腳編號列表 Press Foot

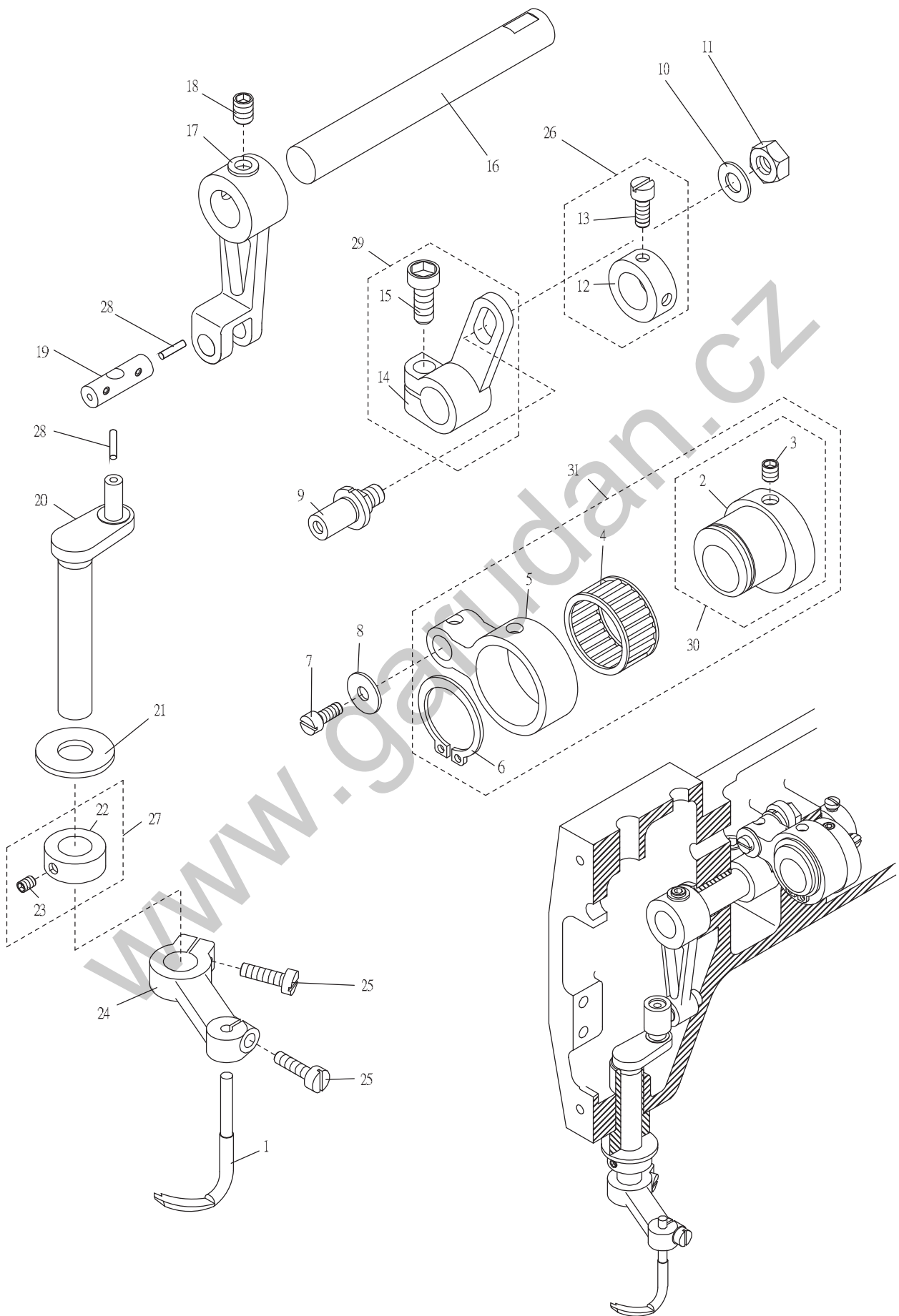
壓腳針距 Press foot	FT4600 FT6200 FT7000-0-02 □□ M FT7000-0-2 □□ M	FT4700 FT6500 FT7000-0-03 □□ M FT7000-0-3 □□ M
4.0	5220PF00404	
4.8	5220PF00484	
5.6	5220PF00564	5220PF00564
6.4		5220PF00644

8. FT4600 / FT4700 / FT6200 / FT6500 / FT7000 壓腳與相關零件

Presser Foot Components For FT4600 / FT4700 / FT6200 / FT6500 / FT7000

序號	物料編號	名稱	單位用量
Ref. No.	Parts Number	Description	Amt. Req.
1	2280000801	壓力調整螺椿 Spring Regulator -----	1
2	8MB05320509G	螺絲 Screw (CT0802 M5-0.8*5) -----	2
3	2220000803	螺帽 Nut -----	1
4	2210000804	彈簧 Spring -----	1
5	2200000805	壓腳棒連結臂 Presser Bar Clamp -----	1
6	8MC95300808E	螺絲 Screw (CT1038 M4.5-0.75*8) -----	1
7	2200000807	滑道 GuideBlock (CT0807)-----	1
8	8MB95301407K	螺絲 Screw (C0620 M4.5-0.75*14) -----	2
9	2210000809	彈簧 Spring -----	1
10	2200000810	壓腳棒 Presser Bar (CT0810) -----	1
11	2200000811	阻油片 Oil Separator -----	1
12	2220000812	限動環 Stop Collar -----	1
13	2220000813	固定切刀 Knife -----	1
14	8MH85240300A	螺絲 Screw (CT0813 M3.5-0.6*3) -----	2
15	-----	壓腳 Presser Foot(See Left Page) -----	1
15-A	5220PF0356M	螺絲 Screw (M3.5-0.6*8) -----	1
15-B	5221PF0956C	螺絲 Screw(1/8"-44*11) -----	1
15-C	5220PF0356D	螺帽 Nut -----	1
15-D	8SB24560405A	螺絲 Screw (SH0413 3/32"-56*4) -----	1
15-E	5220PF0056L	導布定規 Curl Guard -----	1
16	2200000816	彈簧 Spring (CT0816) -----	1
17	2200000817	連桿 Link (CT0817) -----	1
18	2220000818	護指擋片 Safety Plate Holder) -----	1
19	2200000819	連桿 Lever (CT0819) -----	1
20	90SP0416	彈簧銷 Spring Pin(CT0820) -----	1
21	2200000821	彈簧 Spring (CT0821) -----	1
22	2200000822	定位環 Collar (CT0822) -----	2
23	8MC95300606F	螺絲 Screw (CT0823 M4.5-0.75*5.5) -----	4
24	2200000824	軸 Shaft (CT0824) -----	1
25	220A0000825	定位環組 Collar Asm.(CT0822A) -----	2
26	2200000826	連桿 Lever (CT0826) -----	1
27	8MM05321409A	螺絲 Screw (CT0632 M5-0.8*14) -----	1
28	90ER030	E形扎環 E Ring (CT0828) -----	2
29	2200000829	連結銷 Connecting Pin (CT0829) -----	2
30	2200000830	連桿 Link (CT0830) -----	1
31	2200000831	連桿 Lever (CT0831) -----	1
32	8MC06401008E	螺絲 Screw (C0832 M6-1*9.5) -----	1
33	2210000833	揚昇臂 Lifter Arm -----	1
34	2210000834	揚昇臂限位片 Stopper -----	1
35	8MB85240607K	螺絲 Screw (C0637 M3.5-0.6*6) -----	3
36	2200000836	曲柄 Drive Arm (CT0836) -----	1
37	8MK95301407A	螺絲 Screw (C0837 M4.5-0.75*14) -----	1
38	2200000838	曲軸 Shift (CT0838) -----	1
39	222A0000842	限動環組 Stop Collar Asm -----	1
40	220A0000840	連桿組 Link Asm.(CT0826A) -----	1
41	8MB03200405A	螺絲 Screw (FT0548 M3-0.5*4) -----	1

9. 裝飾線驅動機構FT7000專用 Spreader Mechanism FT7000 Only

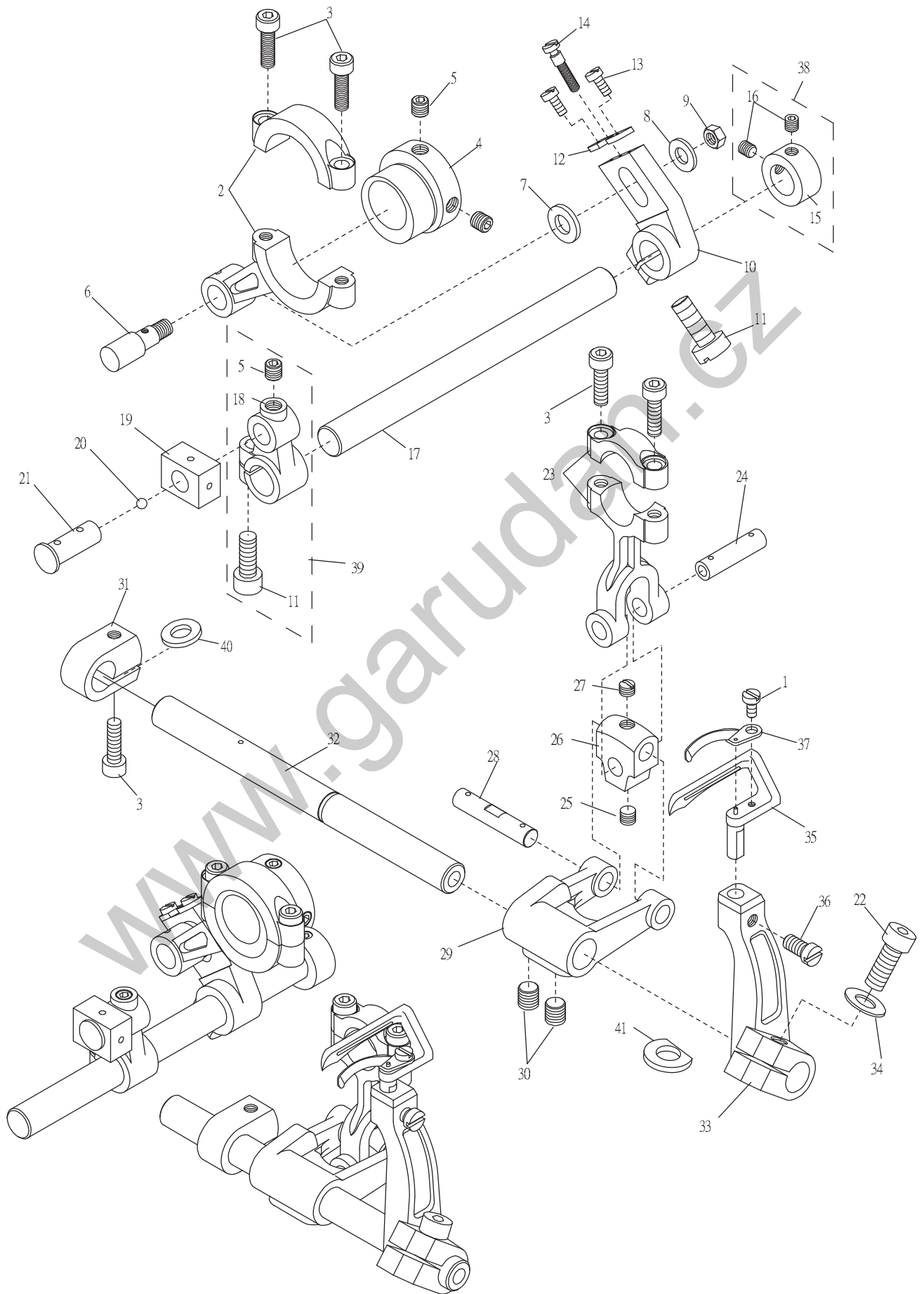


9. 裝飾線驅動機構FT7000專用 Spreader Mechanism FT7000 Only

序號	物料編號	名稱	單位用量
Ref. No.	Parts Number	Description	Amt.Rdq.
1	5221SL00560	裝飾線結線鉤 Spreader -----	1
2	2200000902	偏心輪 Eccentric -----	2
3	8MN05320500E	螺絲 Screw (CT0903 M5-0.8*5) -----	1
4	90NB222613	滾針軸承 Needle Bearing -----	1
5	2200000905	連桿 Connecting Rod -----	1
6	90SCR220	軸用 C形扣環C Ring -----	1
7	8MB04280807K	螺絲 Screw (CT0215 M4-0.7*8) -----	1
8	2200000908	墊圈 Washer -----	1
9	2200000909	曲柄銷 Rod Pin -----	1
10	2200000910	墊圈 Washer -----	1
11	8MA06400510A	螺帽 Nut (CT0533 M6-1*5) -----	1
12	2200000912	定位環 Collar -----	2
13	8MC95300606F	螺絲 Screw (CT0823 M4.5-0.75*5.5) -----	1
14	2200000914	變距曲柄 Lever -----	1
15	8MM06401610A	螺絲 Screw (CT0625 M6-1*16) -----	1
16	2200000916	軸 Shaft -----	1
17	2220000917	連桿 Connecting Rod -----	2
18	8MN06400600A	螺絲 Screw (CT0244 M6-1*6) -----	1
19	2220000919	連桿銷 Rod Pin -----	1
20	2220000920	曲軸 Crank Shaft -----	1
21	2200000921	墊圈 Washer -----	1
22	2200000922	定位環 Collar -----	2
23	8MH85240500A	螺絲 Screw (CT0923 M3.5-0.6*4.5) -----	1
24	22000009241	擺動臂 Spreader Arm -----	2
25	8MB04281207K	螺絲 Screw (CT0239 M4-0.7*12) -----	1
26	220A0000926	定位環組 Collar Asm -----	1
27	220A0000927	定位環組 Collar Asm -----	2
28	66801	油線 Oil Wick -----	1
29	222A0000929	變距曲柄 Lever -----	1
30	222A0000930	偏心輪組 Collar Asm -----	1
31	222A0000931	偏心輪組 Collar Asm -----	1

www.garudan.com

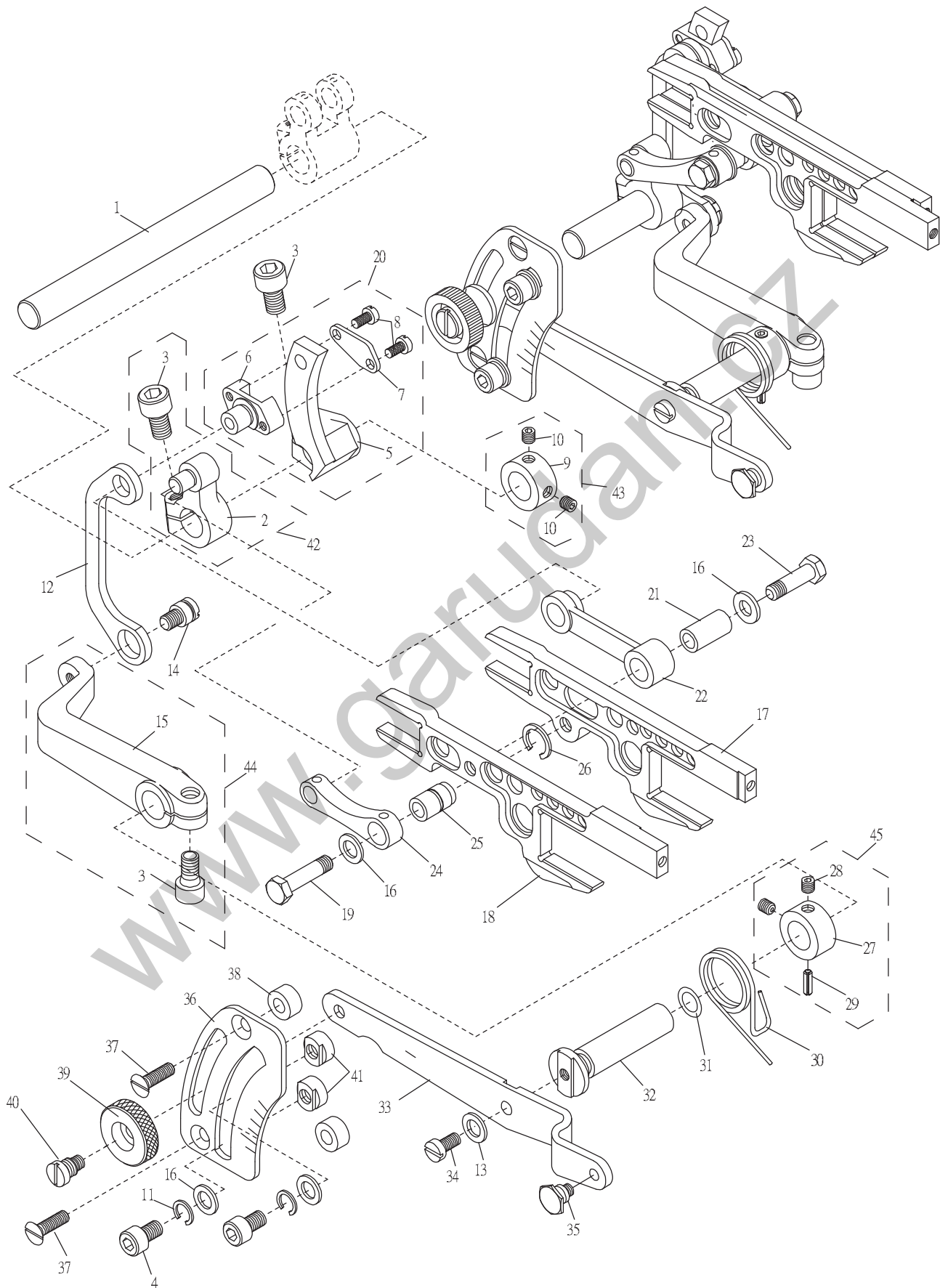
10. 結線鉤驅動機構 Looper Driving Mechanism



10. 結線鉤驅動機構 Looper Driving Mechanism

序號	物料編號	名稱	單位用量
Ref. No.	Parts Number	Description	Amt. Req.
1	8SB24560404A	螺絲 Screw (F1001) -----	1
2	2210001002	連桿 Connecting Rod -----	1
3	8MM04281407A	螺絲 Screw (FT1003 M4-0.7*14) -----	5
4	2210001004	偏心輪 Eccentric -----	1
5	8MN05320500E	螺絲 Screw (CT0903 M5-0.8*5) -----	3
6	2210001006	曲柄銷 Lever Pin -----	1
7	2210001007	隔環 Spacer -----	1
8	2200001025	墊圈 Washer (CT1025)-----	1
9	8MA05320408A	螺帽 Nut (CT1028 M5-0.8*4) -----	1
10	2210001010	變距曲柄 Adjusting Lever -----	1
11	8MM05321209A	螺絲 Screw (FT0524) -----	2
12	2210001012	卡榫 Adjusting Guide Plate -----	1
13	8MB75180505A	螺絲 Screw (CTS0218 M2.5-0.45*5) -----	2
14	2210001014	變距螺樁 Adjusting Stud -----	1
15	2210001015	定位環 Collar -----	1
16	8MN04280400A	螺絲 Screw (CT0229 M4-0.7*4) -----	2
17	2210001017	軸 Shaft -----	1
18	2210001018	曲柄 Lever -----	1
19	2210001019	驅動滑塊 Slide Block -----	1
20	2100000403	孔塞 Plug (SH0403) -----	1
21	2210001021	曲柄銷 Lever Pin -----	1
22	8MM05321609A	螺絲 Screw (RP101-11 M5-0.5*16) -----	1
23	2210001023	連桿 Rod -----	1
24	2210001024	連結銷 Connecting Pin -----	1
25	8MN95300600A	螺絲 Screw (FT1025 M 4.5-0.75*6) -----	1
26	2210001026	十字接頭 Lever Link -----	1
27	8MH95300400A	螺絲 Screw (FT1027 M4.5-0.75*3.5) -----	1
28	2210001028	連結銷 Connecting Pin -----	1
29	2210001029	曲柄 Lever -----	1
30	8MN06400600A	螺絲 Screw (CT0244 M6-1*6) -----	2
31	2210001031	止推夾環 Collar -----	1
32	2210001032	軸 Shaft -----	1
33	2210001033	擺動臂 Rocker Arm -----	1
34	2210001034	墊圈 Washer -----	1
35	5221LL00561	下結線鉤 Looper -----	1
36	8MB04280705K	螺絲 Screw (FT1036 M4-0.7*7) -----	1
37	5221NG00561	前導針器 Needle Guide (NGF00D1) -----	1
38	221A0001038	定位環組 Collar Asm. -----	1
39	221A0001039	曲柄組 Lever Asm. -----	1
40	2100000223	墊圈 Washer (W3)-----	1
41	2210001041	墊片 Washer -----	1

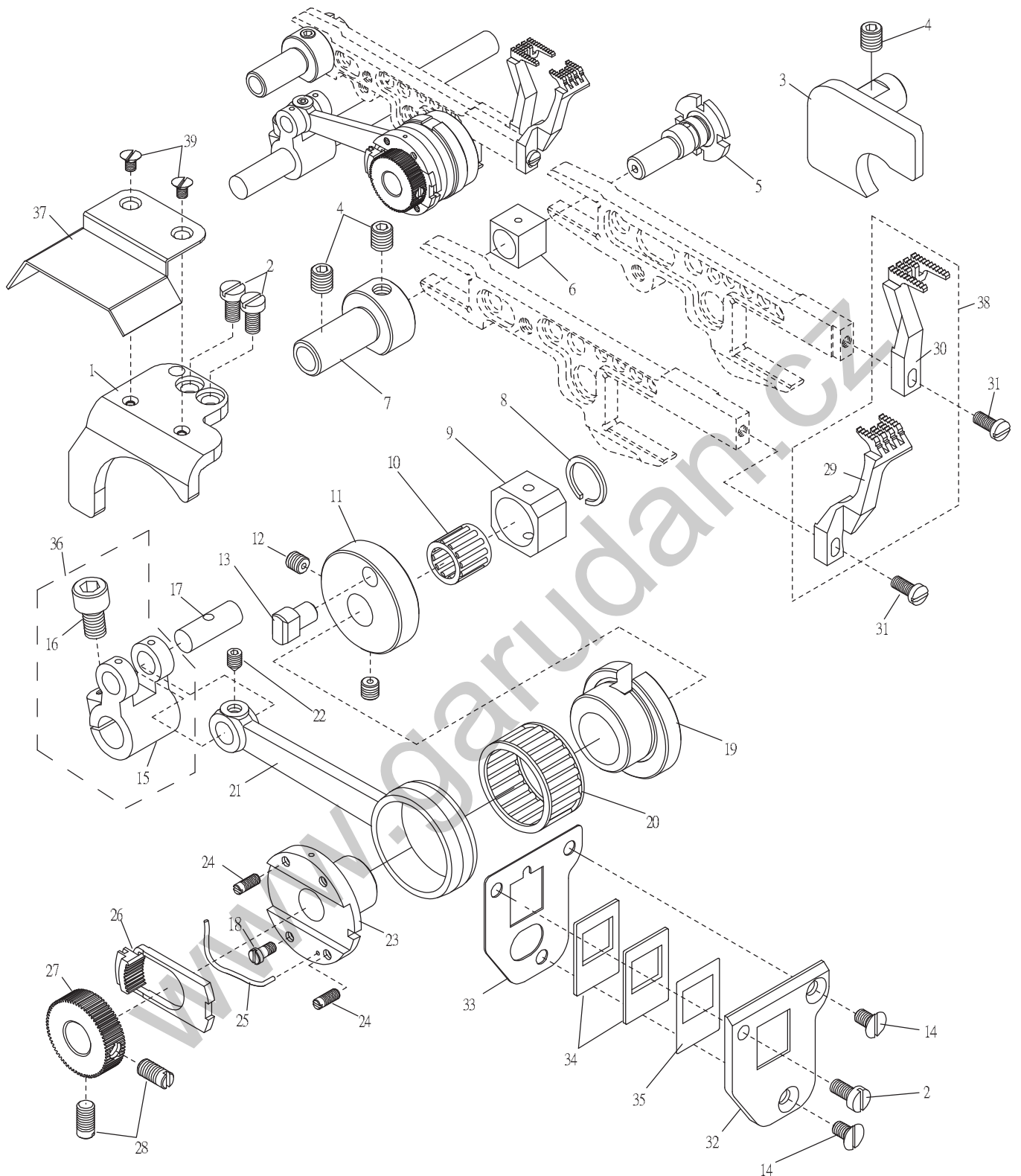
11.進給變換機構 Feed Control Driving



11.進給變換機構 Feed Control Driving

序號	物料編號	名稱	單位用量
Ref. No.	Parts Number	Description	Amt.Req.
1	2210001101	軸 Shaft -----	1
2	2210001102	曲柄 Lever -----	1
3	8MM06401210A	螺絲 Screw (FT1103 M6-1*12) -----	3
4	8MM05320809A	螺絲 Screw (CT1145 M5-0.8*8) -----	2
5	2210001105	差動變距滑道 Differential Rocker -----	1
6	2210001106	差動變距滑塊 Slide Block -----	1
7	2210001107	滑塊檔板 Slide Block Cap -----	1
8	8MB03200606K	螺絲 Screw (CT1207 M3-0.5*6) -----	2
9	2210001109	定位環 Collar -----	1
10	8MN05320500E	螺絲 Screw (CT0903 M5-0.8*5) -----	2
11	90SW050	彈簧墊圈 Spring Washer (CT0631) -----	2
12	2210001112	連桿 Link -----	1
13	2100000223	墊圈 Washer (W3)-----	1
14	2210001114	連結銷 Connecting Pin -----	1
15	2210001115	差動變換臂 Differential Lever -----	1
16	2200001025	墊圈 Washer (CT1025) -----	4
17	2210001117	主送齒驅動座 Feed Dog Seat -----	1
18	2210001118	副送齒驅動座 Feed Dog Seat -----	1
19	8MK05201808G	螺絲 Screw (FT1119 M5-0.5*18)-----	1
20	221A0001147	差動變距滑道組 Differential Rocker Asm.-----	1
21	2210001121	套管 Bushing -----	1
22	2210001122	連桿 Rod -----	1
23	8MK05202108G	螺絲 Screw (FT1123 M5-0.5*21) -----	1
24	2210001124	連桿 Rod -----	1
25	2210001125	套管 Bushing -----	1
26	2210001126	C形同心扣環 C Ring -----	1
27	2210001127	定位環 Collar -----	1
28	8MN04280400A	螺絲 Screw (CT0229 M4-0.7*4) -----	2
29	90SP0416	彈簧銷 Spring Pin (CT0820) -----	1
30	2210001130	回復彈簧 Spring -----	1
31	90OR070	O形油環 O Ring -----	1
32	2210001132	差動游標軸 Shaft -----	1
33	2210001133	差動變換桿 Lever -----	1
34	8MB04280807K	螺絲 Screw (CT0215 M4-0.7*8) -----	1
35	2210001135	懸掛螺樁 Stud -----	1
36	2210001136	差動刻記板 Regulator Plate -----	1
37	8ME04281408A	螺絲 Screw (CT1140 M4-0.7*14) -----	2
38	2200001141	隔環 Spacer (CT1141) -----	2
39	2200001147	螺帽 Nut -----	1
40	8MB06401108T	螺樁 Stud (FT71140 M6-1*11) -----	1
41	2200001142	止動環 Stopper (CT1142) -----	2
42	221A0001142	曲柄組 Lever Asm. (F1102A) -----	1
43	221A0001143	定位環組 Collar Asm. (F1109A) -----	1
44	221A0001144	差動變換臂組 Differential Lever Asm.(F1115A)-----	1
45	221A0001145	定位環組 Collar Asm. (F1127A)-----	1

12. FT7000 導針與送布齒驅動機構 Needle Guide And Feed Dog Driving For Ft7000



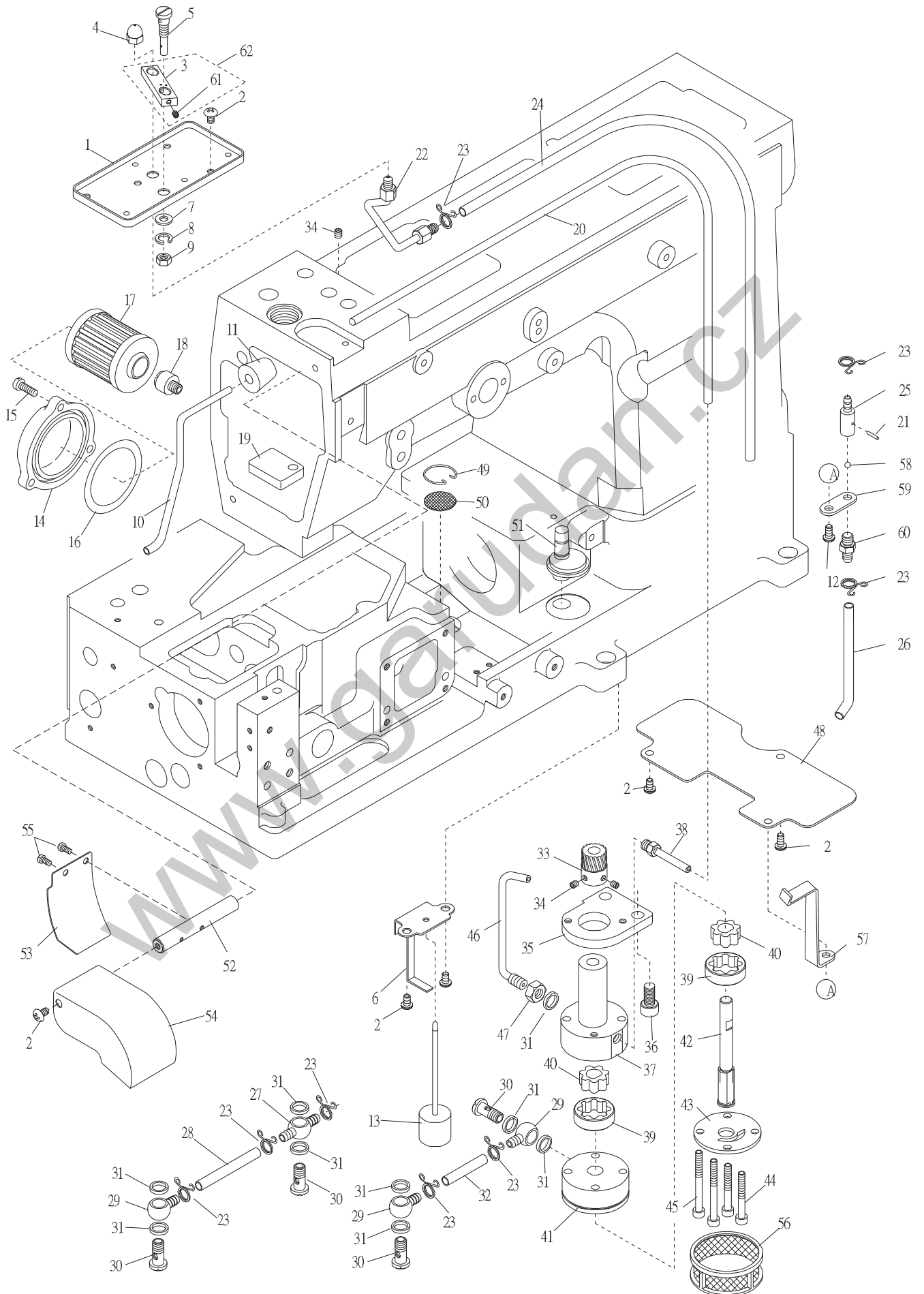
序號 Ref.No.	名稱 Description	針距 Distance Of Needles			
		4.0	4.8	5.6	6.4
30	主送布齒 Main Feed Dog	5221FD00564	5221FD00564	5221FD00564	5221FD00644
29	副送布齒 Diff Feed Dog	5221DF00563	5221DF00563	5221DF00563	5221DF00643
38	送布齒組 Feed Dog Asm.	5221DG0021	5221DG0021	5221DG0021	5221DG0022

12. FT7000 導針與送布齒驅動機構 Needle Guide And Feed Dog Driving For FT7000

序號	物料編號	名稱	單位用量
Ref. No.	Parts Number	Description	Amt. Req.
1	22100012011	送布齒座導軌 Feed Bar Guide -----	1
2	8MB04280807K	螺絲 Screw (CT0215 M4-0.7*8) -----	3
3	2210001203	送布齒座導軌 Feed Bar Guide -----	1
4	8MN06400600A	螺絲 Screw (CT0244 M6-1*6) -----	3
5	2210001205	送布齒台調整軸 Feed Adjusting Shaft-----	1
6	2200001245	滑塊 Slide Block (CT1245) -----	1
7	2210001207	懸臂 Guide -----	1
8	2210001208	C型同心扣環 C Ring -----	1
9	2210001209	滑塊 Slide Block -----	1
10	90NB121510	滾針軸承 Needle Bearing -----	1
11	2210001211	變距銷座 Eccentric Pin Holder -----	1
12	8MN05320500E	螺絲 Screw (CT0903 M5-0.8*5)-----	2
13	2210001213	變距銷 Eccentric Pin -----	1
14	8ME04280708A	螺絲 Screw (CT0206 M4-0.7*5) -----	2
15	2210001215	曲柄 Shaft -----	1
16	8MM06401210A	螺絲 Screw (FT1103 M6-1*12) -----	1
17	2210001217	曲柄銷 Shaft Pin -----	1
18	8MB03200605B	螺絲 Screw (FT1218 M3-0.5*6) -----	1
19	2210001219	進給偏心輪 Eccentric -----	1
20	90NB242810	滾針軸承 Needle Bearing -----	1
21	2210001221	連桿 Rod -----	1
22	8MN04280500C	螺絲 Screw (FT1222 M4-0.7*5) -----	1
23	2210001223	變距偏心輪 Regulating Eccentric -----	1
24	8MB03200403F	螺絲 Screw (FT1224 M3-0.8*8) -----	2
25	2210001225	彈簧 Spring -----	1
26	2210001226	離合齒片 Regulating Plate -----	1
27	2210001227	離合齒輪 Regulating Gear -----	1
28	8MB05320805F	螺絲 Screw (FT1228 M5-0.8*8) -----	2
29	-----	副送布齒 Diff. Feed Dog (See Left Page) -----	1
30	-----	主送布齒 Main Feed Dog (See Left Page) -----	1
31	8MB85240807K	螺絲 Screw (FT0555 M3.5-0.6*8) -----	2
32	2210001232	滑動油封座 Rubber Case -----	1
33	2210001233	輔助油封座 Gasket -----	1
34	2210001234	從動式油封 Rubber -----	2
35	2210001235	墊片 Washer -----	1
36	221A0001236	曲柄組 Crank Asm. (F1215A) -----	1
37	2210001237	防油蓋 Cover -----	1
38	-----	送布齒組 Feed Dog Asm. (See Left Page) -----	1
39	8ME03200506A	螺絲 Screw (CT0341 M3-0.5*4.5) -----	2



13. FT4600 / FT4700 / FT6200 / FT6500 / FT7000 潤滑系統
 Lubrication System For FT4600 / FT4700 / FT6200 / FT6500 / Ft7000

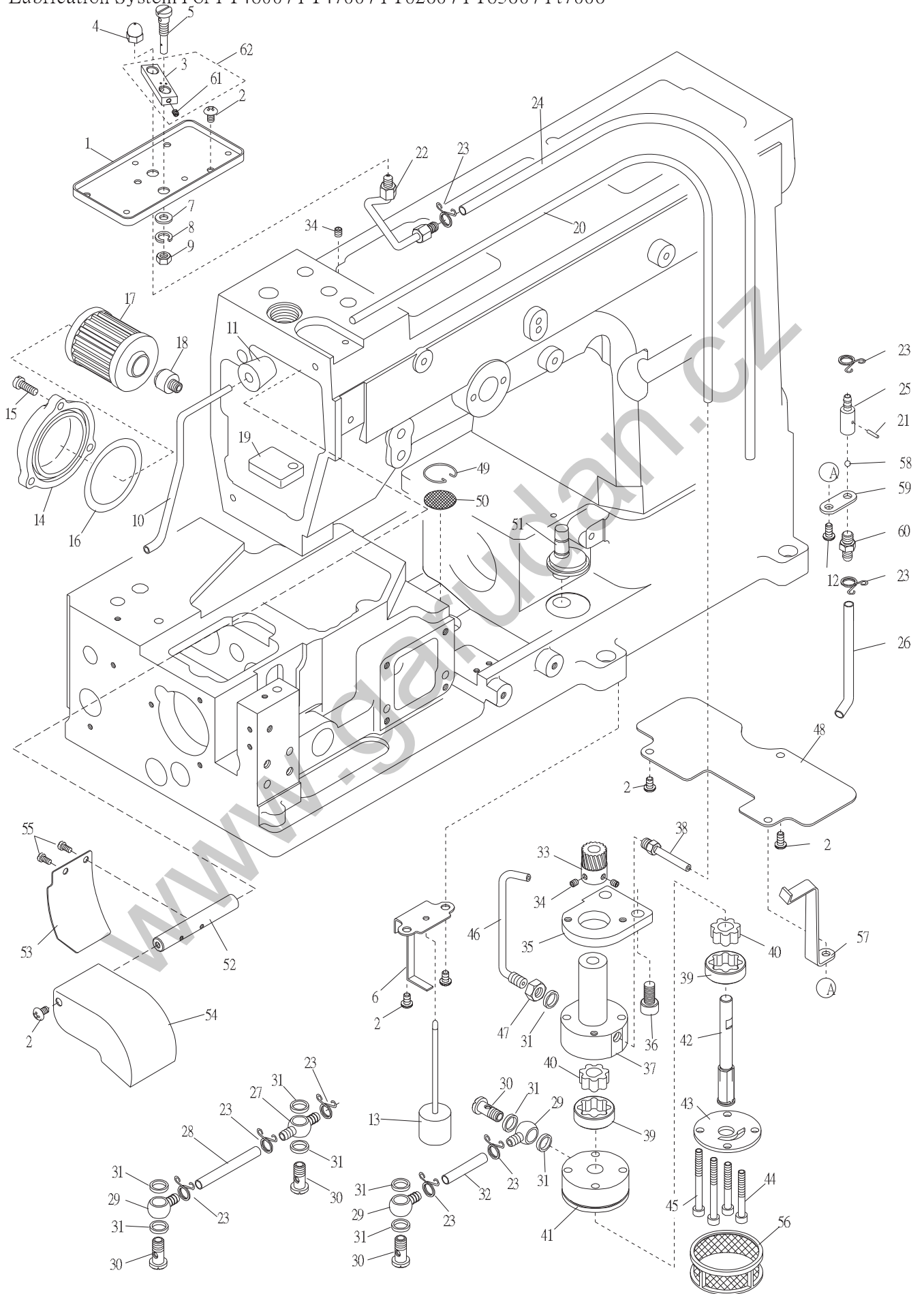


13. FT4600 / FT4700 / FT6200 / FT6500 / FT7000 潤滑系統

Lubrication System For FT4600 / FT4700 / FT6200 / FT6500 / FT7000

序號	物料編號	名稱	單位用量
Ref. No.	Parts Number	Description	Amt. Req.
1	2210001301	承油盤 Oil Receiver -----	1
2	8MC04280507D	螺絲 Screw (CT0122 M4-.7*5) -----	7
3	22100013031	導油歧路 Lubricant Guiding Block -----	1
4	2210001304	噴油嘴 Nozzle -----	1
5	2210001305	注油管 Oil Pipe -----	1
6	2210001306	浮標座 Indicator Support -----	1
7	2100000223	墊圈 Washer (W3) -----	1
8	90SW050	彈簧墊圈 Spring Washer -----	1
9	8MA05320408A	螺帽 Nut (CT1028 M5-0.8*4) -----	1
10	2210001310	油管 Oil Tube -----	1
11	2210001311	孔塞 Plug -----	1
12	8MC04281007D	螺絲 Screw (CT0130 M4-0.7*10) -----	1
13	2210001313	油面浮標 Indicator -----	1
14	22000013111	封蓋 Oil Filter Cover -----	1
15	8MB04281207K	螺絲 Screw (CT0239 M4-0.7*12) -----	3
16	2200001313	O形油環 O Ring -----	1
17	2100001521	過濾器 Oil Filter -----	1
18	2200001315	過濾器接頭 Oil Filter Joint -----	1
19	2200001318	羊毛氈 Felt -----	1
20	66792	油管 Oil Tube -----	1
21	2220001331	銷 Pin -----	1
22	2210001322	油管 Oil Tube -----	1
23	2100001536	夾簧 Latch Spring (SH1536) -----	8
24	66790	油管 Oil Tube -----	1
25	2220001325	單向閥 One Way Valve -----	1
26	66790	油管 Oil Tube -----	1
27	2200001327	油管接頭 Oil Tube Joint -----	1
28	2200001328	油管 Oil Tube -----	1
29	2100001535	油管接頭 Oil Tube Joint (SH1535) -----	3
30	2100001533	螺椿 Stud -----	4
31	2100001534	油封 Seal -----	9
32	2200001332	油管 Oil Tube -----	1
33	2200001341	蝸母 Worm Gear -----	1
34	8MN04280400A	螺絲 Screw (CT0229 M4-0.7*40) -----	3
35	2200001352	泵座 Pump Seat -----	1
36	8MM06401210A	螺絲 Screw (FT1103 M6-1*12) -----	2
37	2200001353	回收泵 Pump Body -----	1
38	2200001344	油管 Oil Tube -----	1
39	2200001354	外轉子 Outside Rotor -----	2
40	2200001355	內轉子 Inside Rotor -----	2
41	2200001356	壓出泵 Rotor Case -----	1
42	2200001357	軸 Shaft -----	1
43	2200001358	封蓋 Cover -----	1
44	8MM04283007B	螺絲 Screw (CT1359 M4-0.7*30) -----	2
45	8MM04284007B	螺絲 Screw (CT1310 M4-0.7*40) -----	2
46	2200001346	噴油嘴 Nozzle -----	1
47	8MA06400510A	螺帽 Nut (CT0533 M6-1*5) -----	1
48	2210001348	隔板 Separate -----	1
49	2200001316	扣簧 Filter Screen Clamp -----	1
50	2200001317	網板 Filter Screen -----	1

13. FT4600 / FT4700 / FT6200 / FT6500 / FT7000 潤滑系統
 Lubrication System For FT4600 / FT4700 / FT6200 / FT6500 / Ft7000



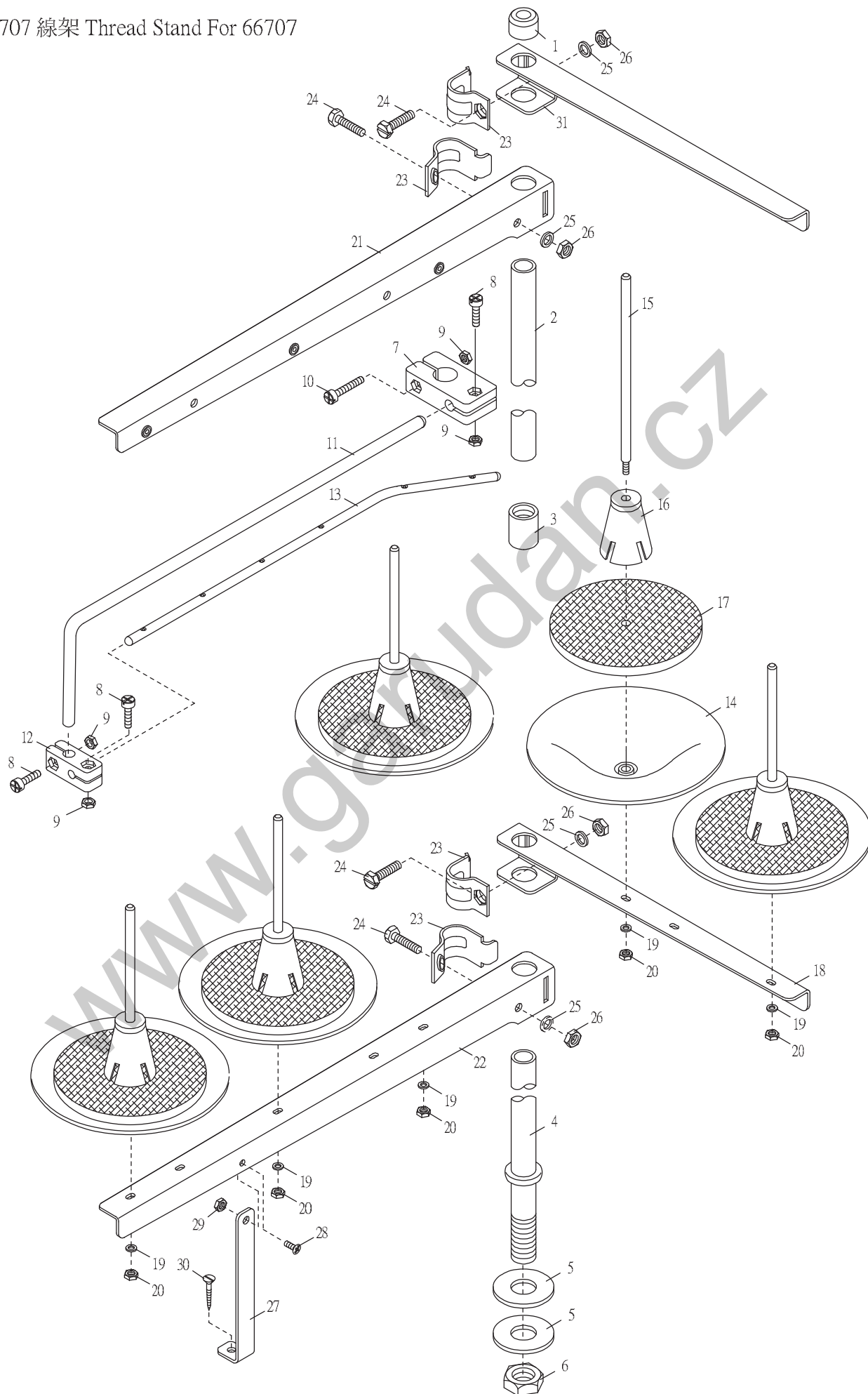
13. FT4600 / FT4700 / FT6200 / FT6500 / FT7000 潤滑系統

Lubrication System For FT4600 / FT4700 / FT6200 / FT6500 / FT7000

序號 Ref. No.	物料編號 Parts Number	名稱 Description	單位用量 Amt. Req.
51	2210001351	油面計 Oil Wick -----	1
52	2210001352	軸 Shaft -----	1
53	2210001353	防油蓋 Cover -----	1
54	2210001354	防油蓋 Cover -----	1
55	8MB03200506K	螺絲 Screw (CT0525 M3-0.5*5) -----	2
56	2200001366	油網 Oil Mesh -----	1
57	2200001348	油管支撐臂 Oil Tube Holder -----	1
58	2220001349	鋼珠 Steel ball -----	1
59	2220001339	止回閥座 Bracket -----	1
60	2220001340	油嘴 Oil Tube Joint -----	1
61	8SG24560300A	螺絲 Screw (F600130 3/32"-56) -----	1
62	221A0001362	導油歧路組 Lubricant Guiding Block Asm. -----	1

www.garudan.cz

14. 66707 線架 Thread Stand For 66707



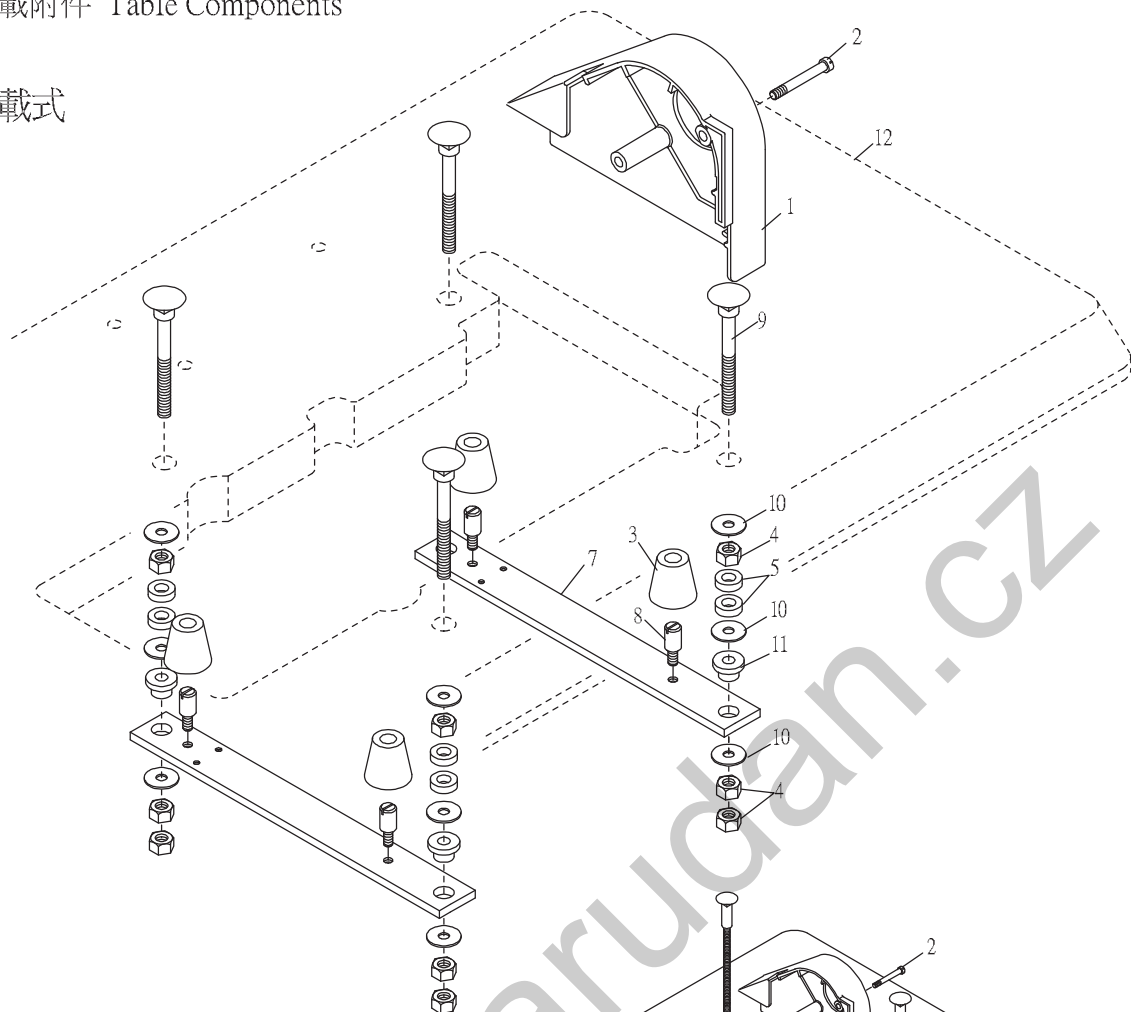
14. 66707 線架 Thread Stand For 66707

序號 Ref. No.	物料編號 Parts Number	名稱 Description	單位用量 Amt.Req.
1	667051	柱帽 Rod Cup -----	1
2	667052	上柱 Upper Thread Stand Rod -----	1
3	667053	接頭 Joint -----	1
4	667054	下柱 Lower Thread Stand Rod -----	1
5	667055	墊圈 Washer -----	2
6	667056	螺帽 Nut -----	1
7	667057	接頭 Bracket -----	1
8	667058	螺絲 Screw -----	3
9	667059	螺帽 Nut -----	4
10	6670510	螺絲 Screw -----	1
11	6670511	旋臂 Arm -----	1
12	6670512	接頭 Bracket -----	1
13	6670513	導線桿 Thread Guide -----	1
14	6670514	線盤 Spool Set for SH6005 -----	5
15	6670515	線盤軸 Spool Pin -----	5
16	6670516	定心錐 Spool Retaining Fig -----	5
17	6670517	緩衝墊 Seat -----	5
18	667061	線盤座 Spool Set Bracket -----	1
19	6670519	彈簧墊圈 Spring Washer -----	5
20	6670520	螺帽 Nut -----	5
21	6670521	導線臂 Thread Guide -----	1
22	6670522	線盤座 Spool Set Bracket -----	1
23	6670523	夾板 Clamp -----	4
24	6670524	螺絲 Screw -----	4
25	6670525	彈簧墊圈 Spring Washer -----	4
26	6670526	螺帽 Nut -----	4
27	6670527	撐桿 Support Rod -----	1
28	6670528	螺絲 Screw -----	1
29	6670529	螺帽 Nut -----	1
30	6670530	木螺絲 Wood Screw -----	1
31	6670531	導線 Thread Guide -----	1

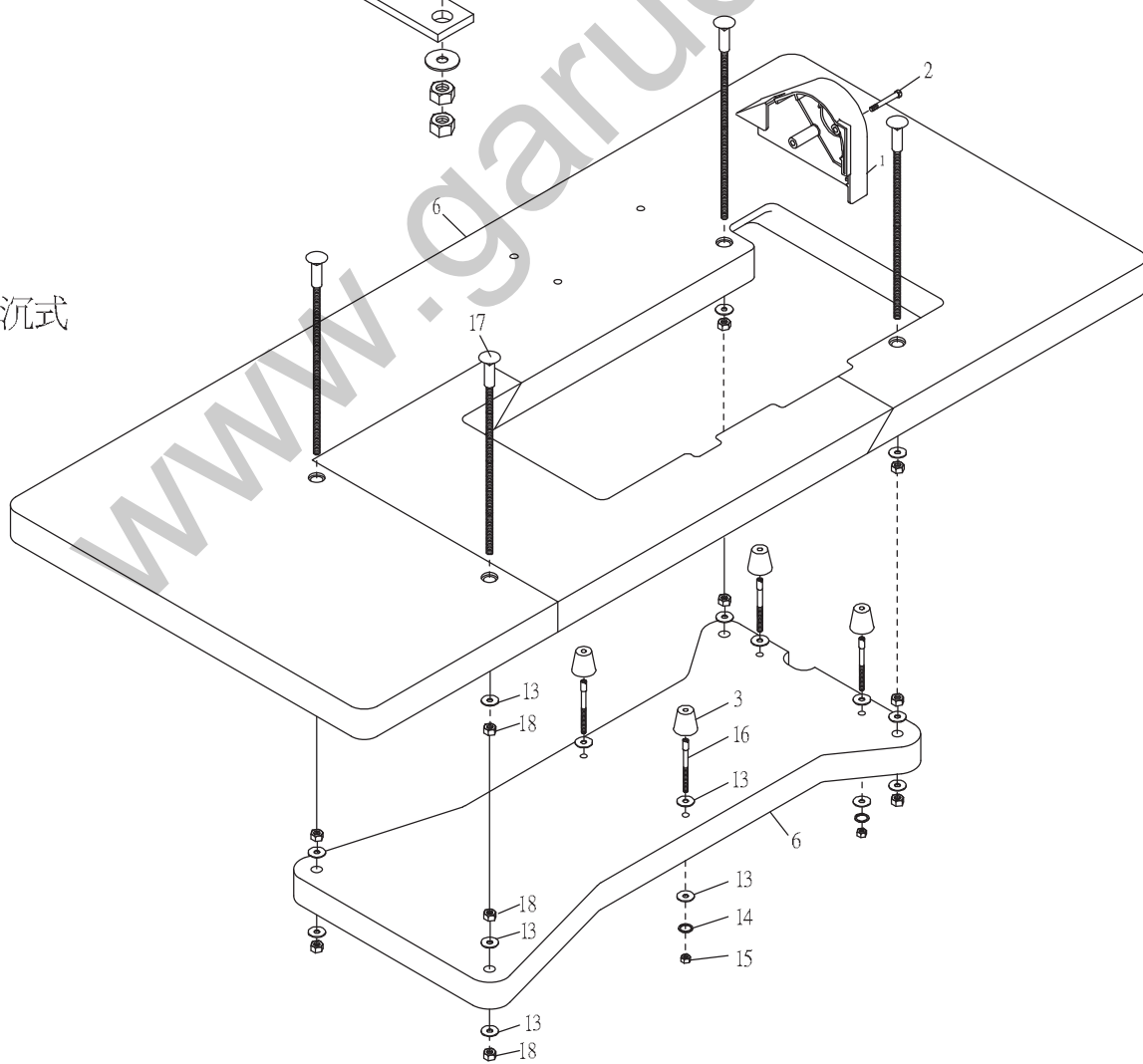
www.garudan.com

15. 裝載附件 Table Components

上載式



半沉式

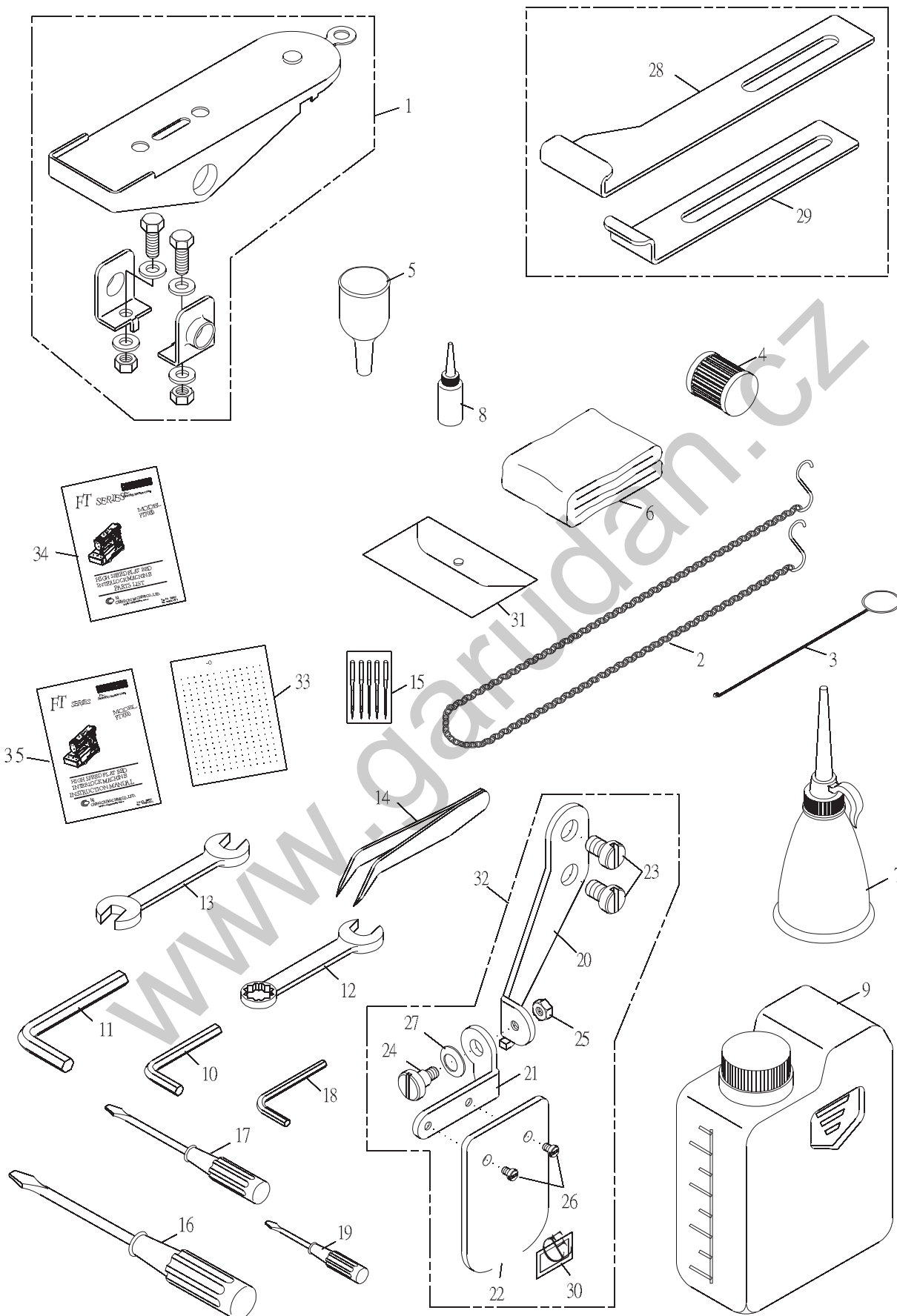


15. 裝載附件 Table Components

序號	物料編號	名稱	單位用量
Ref. No.	Parts Number	Description	Amt. Req.
1	2200001501	皮帶蓋 Belt Cover -----	1
2	8MB06404609S	螺絲 Screw (CT1502 M6-1*46) -----	2
3	66945	減震橡膠 Rubber Cushion -----	4
4	8SA79180613A	螺帽 Nut (CT1514 5/16"-18*6) -----	12
5	2210001505	隔環 Spacer -----	8
6	66812-2	全沉式車板 Table -----	1
7	2210001507	車頭承板 Supporting Board -----	2
8	8MB06401012M	螺樁 Bolt (FT1508 M6-1*10) -----	4
9	8SC79189627B	懸吊螺樁 Bolt (FT1509 5/16"-18*96) -----	4
10	2200001510	墊圈 Washer -----	12
11	2200001511	橡膠環 Rubber Washer -----	4
12	66812-1	車板 Table -----	1
13	2200001504	墊圈 Washer -----	20
14	90SW050	彈簧墊圈 Spring Wahsher -----	4
15	8MA06400612A	螺帽 Nut (SH0242 M6-1*6) -----	4
16	8MB06406507B	螺樁 Bolt (CT1507 M6-1*65) -----	4
17	2210001608	螺樁 Bolt -----	4
18	8MA08500613A	螺帽 Nut (RP0208 M8-1.25) -----	12

www.garudan.com

16. 工具及附件 Accessories



16.工具及附件 Accesseries

序號	物料編號	名稱	單位用量
Ref. No.	Parts Number	Description	Amt.Req.
1	66700	踏板組 Pedel Complete -----	1
2	66695	鍊條組 Chain Set -----	1
3	66840	穿線鋼絲 Threading Bar -----	1
4	2100001521	過濾器 Oil Filter -----	1
5	66720	漏斗 Oil Funnel -----	1
6	66846	防塵罩 Mechine Cover -----	1
7	66721	油壺 Oiler -----	1
8	66722	矽油 Silicon Oil -----	1
9	66715	油罐 Oil Container -----	1
10	66636	六角扳手 Spanner 3MM -----	1
11	66637	六角扳手 Spanner 4MM -----	1
12	66612	梅花扳手 Wrench 10MM -----	1
13	66613	開口扳手 Wrench 7/8MM -----	1
14	66690	鑷子 Tweezer -----	1
15	66725-11-5	備用針 Retainer Needle -----	1
16	66665	長起子 Screw Driver (Large) -----	1
17	66666	中起子 Screw Driver (Medium) -----	1
18	66639	六角板手 Spanner 1.5MM -----	1
19	66667	小起子 Screw Driver (Small) -----	1
20	2200001620	護目鏡座 Safety Plate Support -----	1
21	2200001621	護目鏡架 Safety Plate Holder -----	1
22	2200001622	護目鏡 Safety Plate -----	1
23	8MC06401008E	螺絲 Screw (CT0832 M6-1*9.5) -----	2
24	8SB36400810E	螺絲 Screw (CT1624 9/64"-40*7.7) -----	1
25	8SA36400406A	螺帽 Nut (CT1625 9/64"-40*4) -----	1
26	8MB03200405A	螺絲 Screw (FT0548 M3-0.5*4) -----	2
27	2200000228	墊圈 Washer -----	1
28	66857	左導模 Fabric Guide (L) -----	1
29	66858	右導模 Fabric Guide (R) -----	1
30	66451	貼紙 Paster -----	1
31	66831	工具袋 Tools Bag -----	1
32	220A0001632	護目鏡組 Safety Plate Asm.-----	1
33	66200	保證書 Guarautee -----	1
34	FT6301-1G-06-10	零件冊 Parts List-----	1
35	FT6201-8-06-10	使用說明書 Instruction Manual-----	1

www.solidan.com

FT7000 GAUGE PARTS LIST

FT7000-0-0 □□□M
 FT7000-0-□□□□M

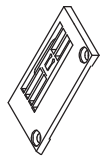
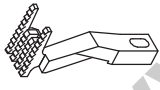
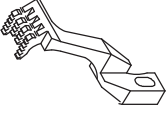
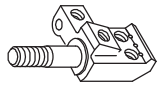
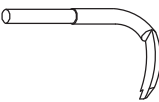
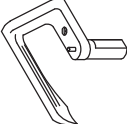

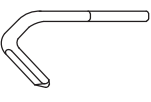

Main Parts 更換 零件	機針	Throat plate 針板	Presser foot asm 壓腳	Main feed dog 主送布齒	Diff feed dog 副送布齒	Needle clamp 針留	Upper looper 上結線勾	Lower looper 下結線勾	Needle guide 前導針	Needle guide 後導針	Needle 針
	4.0	522TP00401	522PF00404	522FD0664 522FDG0021	522IDR0663 522IDR0663	522NC00400	522OSL00560	522ILL00561	522ING00561	522ING00562	UY128GAS #11
	4.8	522TP00484	522PF00484	522FD0664 522FDG0021	522IDR0663 522IDR0663	522NC00480	522OSL00560	522ILL00561	522ING00561	522ING00562	
	5.6	522TP00564	522PF00564	522FD0664 522FDG0021	522IDR0663 522IDR0663	522NC00561	522OSL00560	522ILL00561	522ING00561	522ING00562	
	6.4	522TP00642	522PF00644	522FD0664 522FDG0022	522IDR0645 522IDR0645	522NC00641	522OSL00560	522ILL00561	522ING00561	522ING00562	

FT7000-0-0 □□□H
 FT7000-0-□□□□H

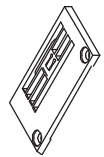
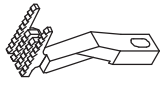
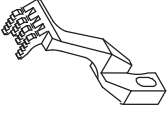
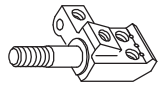
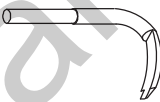


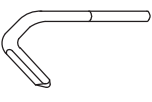

Main Parts 更換 零件	機針	Throat plate 針板	Presser foot asm 壓腳	Main feed dog 主送布齒	Diff feed dog 副送布齒	Needle clamp 針留	Upper looper 上結線勾	Lower looper 下結線勾	Needle guide 前導針	Needle guide 後導針	Needle 針
	4.0	522TP00400	522PF00404	522FD0664 522FDG0021	522IDR0663 522IDR0663	522NC00400	522OSL00560	522ILL00561	522ING00561	522ING00562	UY128GAS #14
	4.8	522TP00480	522PF00484	522FD0664 522FDG0021	522IDR0663 522IDR0663	522NC00480	522OSL00560	522ILL00561	522ING00561	522ING00562	
	5.6	522TP00566	522PF00564	522FD0664 522FDG0021	522IDR0663 522IDR0663	522NC00561	522OSL00560	522ILL00561	522ING00561	522ING00562	
	6.4	522TP00644	522PF00644	522FD0664 522FDG0022	522IDR0645 522IDR0645	522NC00641	522OSL00560	522ILL00561	522ING00561	522ING00562	

FT7000 GAUGE PARTS LIST

FT7000-0-0 □□□□W
 FT7000-0-□□□□W

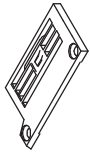

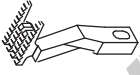

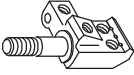
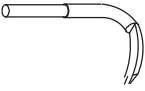
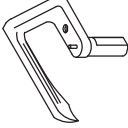

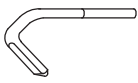

Main Parts 更換 機針零件		Presser foot asm 壓腳									
											Throat plate 針板
型距 Models	m.m										
FT7000	5.6	5220PF00564	5221FD00564 5221DG0021	5221DF00563 5221DR00643	5220NC00561 5220NC00641	5220SL00560 5220SL00560	5221LL00561 5221LL00561	5221NG00561 5221NG00561	5221NG00562 5221NG00562	UY128GAS # 11	
	6.4	5220PF00644	5221FD00644 5221DG0022	5221DF00643 5221DR00643	5220NC00641	5220SL00560	5221LL00561	5221NG00561	5221NG00562		

FT7000-0-0 □□□□L
 FT7000-0-□□□□L

Main Parts 更換 機針零件		Presser foot asm 壓腳									
											Throat plate 針板
型距 Models	m.m										
FT7000	4.0	5220PF00404	5221FD00564 5221DG0021	5221DF00563 5221DR00643	5220NC00400 5220NC00480	5220SL00560 5220SL00560	5221LL00561 5221LL00561	5221NG00561 5221NG00561	5221NG00562 5221NG00562	UY128GAS # 11	
	4.8	5220PF00484	5221FD00564 5221DG0021	5221DF00563 5221DR00643	5220NC00561	5220SL00560	5221LL00561	5221NG00561	5221NG00562		
	5.6	5220PF00564	5221FD00564 5221DG0021	5221DF00563 5221DR00643	5220NC00641	5220SL00560	5221LL00561	5221NG00561	5221NG00562		
	6.4	5220PF00644	5221FD00644 5221DG0022	5221DF00643 5221DR00643	5220NC00641	5220SL00560	5221LL00561	5221NG00561	5221NG00562		

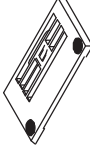
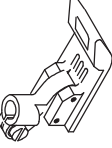
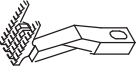







FT7000 GAUGE PARTS LIST

FT7000-0-□□□M/KI002

Main Parts 更換 機針 型距 m.m Models	 Throat plate 針板	 Presser foot asm 壓腳	 Main feed dog 主送布齒	 Diff feed dog 副送布齒	 Needle clamp 針留	 Upper looper 上結線勾	 Lower looper 下結線勾	 Needle guide 前導針	 Needle guide 後導針	 Needle 針
FT7000	522TP00569	522PP00564	522FD00564 522DF0021 522DF00643	522DF00563	5220NC00561	5221SL00560	5221LL00561	5221NG00561	5221NG00562	UY128GAS # 11
	522TP00647	522PP00644	522FD00644 522DF0022	522DF00643	5220NC00641	5221SL00560	5221LL00561	5221NG00561	5221NG00562	

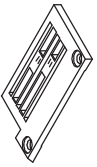
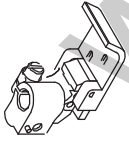
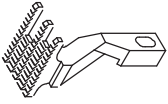
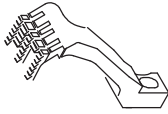
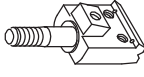
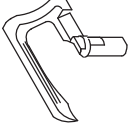
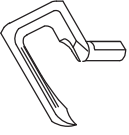


*OPTION-MAKE TO ORDER

FT7000-0-02 □□M/MTB


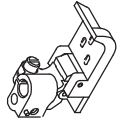
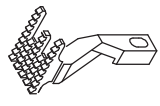
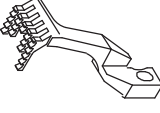
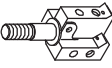





Main Parts 更換 機針 型距 m.m Models	 Throat plate 針板	 Presser foot asm 壓腳	 Main feed dog 主送布齒	 Diff feed dog 副送布齒	 Needle clamp 針留	 Upper looper 上結線勾	 Lower looper 下結線勾	 Needle guide 前導針	 Needle guide 後導針	 Needle 針
	522TP00564	5221PFTB0560	5221FD00564 5221DF0021 5221DF00563	5221DF00563	5220NC00561	5221SL00560	5221LL00561	5221NG00561	5221NG00562	UY128GAS # 11
	522TP00642	5221PFTB0640	5221FD00644 5221DF0022	5221DF00563	5220NC00561	5221SL00560	5221LL00561	5221NG00561	5221NG00562	

FT7000 GAUGE PARTS LIST

FT7002-0-264M/TC008

Main Parts 更換零件 機型針距 Models		Throat plate 針板	5221TP02642		Presser foot asm 壓腳	5221PF02640		Main feed dog 主送布齒	5221FD02640 5221DG3003		Diff feed dog 副送布齒	5221DF02640		Needle clamp 針留	5221NC02640		Lower looper (Right) 下結線鉤(右)	5221LL02641		Lower looper (Left) 下結線鉤(左)	5221LL02640		Needle guide 後導針	5221NG02640		Needle 針	UY128GAS #11

FT7002-1-364M

Main Parts 更換零件 機型針距 Models		Throat plate 針板	5221TP02641		Presser foot asm 壓腳	5221PF02641		Main feed dog 主送布齒	5221FD02641 5221DG3004		Diff feed dog 副送布齒	5221DF02641		Needle clamp 針留	5221NC02641		Lower looper (Right) 下結線鉤(右)	5221LL02641		Lower looper (Medium) 下結線鉤(中)	5221LL02642		Lower looper (Left) 下結線鉤(左)	5221LL02643		Needle guide 後導針	5221NG02641		Needle 針	UY128GAS #11

FT7000 GAUGE PARTS LIST

FT7003-0-0 □□□M
 FT7003-0-□□□M

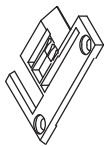
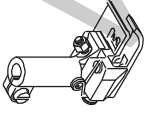
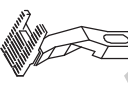
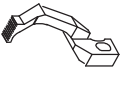
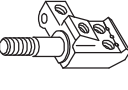
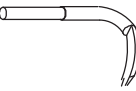


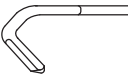

Main Parts 更換零件	Throat plate 針板	Presser foot assm 壓腳	Main feed dog 主送布齒	Diff feed dog 副送布齒	Needle clamp 針留	Upper looper 上結線鉤	Lower looper 下結線鉤	Needle guide 前導針	Needle guide 後導針	Needle 針
3.2	5222TP03321	5222PF03321	5223FD03560 5223DG0001	5221DF03563	5221NC15320	5221SL00560	5221LL00561	5221NG00561	5221NG00562	UY128GAS # 11
4.0	5222TP03401	5222PF03401	5223FD03560 5223DG0001	5221DF03563	5220NC00400					
4.8	5222TP03481	5222PF03481	5223FD03560 5223DG0001	5221DF03563	5220NC00480					
5.6	5222TP03561	5222PF03561	5223FD03560 5223DG0001	5221DF03563	5220NC00561					
6.4	5222TP03641	5222PF03641	5223FD03560 5223DG0001	5221DF03563	5220NC00641					

FT7003-1-0 □□□M
 FT7003-1-□□□M

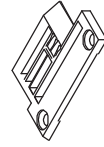
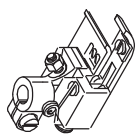
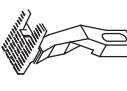
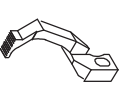
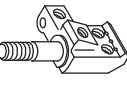
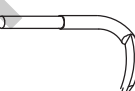
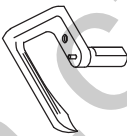



Main Parts 更換零件	Throat plate 針板	Presser foot assm 壓腳	Main feed dog 主送布齒	Diff feed dog 副送布齒	Needle clamp 針留	Upper looper 上結線鉤	Lower looper 下結線鉤	Needle guide 前導針	Needle guide 後導針	Needle 針
3.2	5222TP03321	5222PF03321	5223FD03561 5223DG0002	5223DF03561	5221NC15320	5221SL00560	5221LL00561	5221NG00561	5221NG00562	UY128GAS # 11
4.0	5222TP03401	5222PF03401	5223FD03561 5223DG0002	5223DF03561	5220NC00400					
4.8	5222TP03481	5222PF03481	5223FD03561 5223DG0002	5223DF03561	5220NC00480					
5.6	5222TP03561	5222PF03561	5223FD03561 5223DG0002	5223DF03561	5220NC00561					
6.4	5222TP03641	5222PF03641	5223FD03561 5223DG0002	5223DF03561	5220NC00641					

FT7000 GAUGE PARTS LIST

FT7003-0-□□□ M/TC003

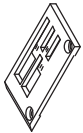
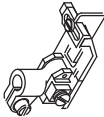


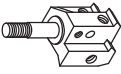
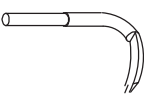
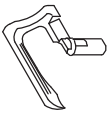




Main Parts 更換零件 機型針距 Models	 Throat plate 針板	 Presser foot asm 壓腳	 Main feed dog 主送布齒	 Diff feed dog 副送布齒	 Needle clamp 針留	 Upper looper 上結線鉤	 Lower looper 下結線鉤	 Needle guide 前導針	 Needle guide 後導針	 Needle 針	5.6	UY128GAS # 11
											522TP03562	522IPF03561
6.4	522TP03642	522IPF03641	522FD03565	522DC0014	522DF03563	522NC00641	522SL00560	522ILL00561	522ING00561	522ING00562	522ING00561	522ING00562

FT7003-0-□□□ M/TC009

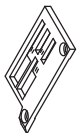
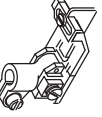
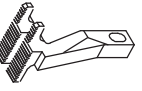

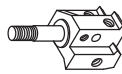
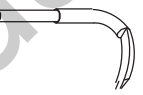
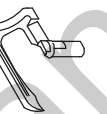




Main Parts 更換零件 機型針距 Models	 Throat plate 針板	 Presser foot asm 壓腳	 Main feed dog 主送布齒	 Diff feed dog 副送布齒	 Needle clamp 針留	 Upper looper 上結線鉤	 Lower looper 下結線鉤	 Needle guide 前導針	 Needle guide 後導針	 Needle 針	5.6	UY128GAS # 11
											522TP03563	522PF03560
6.4	522TP03643	522PF03640	522FD03560	522DC0001	522DF03563	522NC00641	522SL00560	522ILL00561	522ING00561	522ING00562	522ING00561	522ING00562

FT7000 GAUGE PARTS LIST

FT7010-0-388M

Main Parts 更換零件		Throat plate 針板		Presser foot asm 壓腳		Main feed dog 主送布齒		Diff feed dog 副送布齒		Needle clamp 針留		Upper looper 上結線鉤		Lower looper (Right) 下結線鉤(右)		Lower looper (Medium) 下結線鉤(中)		Lower looper (Left) 下結線鉤(左)		Needle guide 後導針		Needle 針	UY128GAS #11
機型 Models																							
針距 m.m	8.8																						

FT7010-0-388M/K1002

Main Parts 更換零件		Throat plate 針板		Presser foot asm 壓腳		Main feed dog 主送布齒		Diff feed dog 副送布齒		Needle clamp 針留		Upper looper 上結線鉤		Lower looper (Right) 下結線鉤(右)		Lower looper (Medium) 下結線鉤(中)		Lower looper (Left) 下結線鉤(左)		Needle guide 後導針		Needle 針	UY128GAS #11
機型 Models																							
針距 m.m	8.8																						

*OPTION-MAKE TO ORDER

*

FT7000 GAUGE PARTS LIST

FT7011-0-0-□□□M
FT7011-0-□□□□M

Main Parts 更換零件 機針	Throat plate 針板	Presser foot asm 壓腳	Main feed dog 主送布齒	Diff feed dog 副送布齒	Needle clamp 針留	Upper looper 上結線鈎	Lower looper 下結線鈎	Needle guide 前導針	Needle guide 後導針	Needle 針
4.0	5222TP00401	5222PF11400	5221FD0564 5221DG003	5221DF11560 5221DG003	5220NC00400	5221SL00560	5221LL00561	5221NG00561	5221NG00562	UY128GAS # 11
4.8	5220TP00484	5222PF11480	5221FD0564 5221DG003	5221DF11560 5221DG003	5220NC00480	5221SL00560	5221LL00561	5221NG00561	5221NG00562	
5.6	5220TP00564	5222PF11560	5221FD0564 5221DG004	5221DF11640 5221DG004	5220NC00561	5221SL00560	5221LL00561	5221NG00561	5221NG00562	
6.4	5220TP00642	5222PF11640	5221FD0564 5221DG002	5221DF11640 5221DG002	5220NC00641	5221SL00560	5221LL00561	5221NG00561	5221NG00562	

FT7013-0-□□□M

Main Parts 更換零件 機針	Throat plate 針板	Presser foot asm 壓腳	Main feed dog 主送布齒	Diff feed dog 副送布齒	Needle clamp 針留	Upper looper 上結線鈎	Lower looper 下結線鈎	Needle guide 前導針	Needle guide 後導針	Needle 針
4.0	5222TP13403	5220PF00404	5221FD0564 5221DG002	5221DF0563 5221DG002	5220NC00400	5221SL00560	5221LL00561	5221NG00561	5221NG00562	UY128GAS # 11
4.8	5222TP13483	5220PF00484	5221FD0564 5221DG002	5221DF0563 5221DG002	5220NC00480	5221SL00560	5221LL00561	5221NG00561	5221NG00562	
5.6	5222TP13563	5220PF00564	5221FD0564 5221DG002	5221DF0563 5221DG002	5220NC00561	5221SL00560	5221LL00561	5221NG00561	5221NG00562	
6.4	5222TP13643	5220PF00644	5221FD0564 5221DG002	5221DF0563 5221DG002	5220NC00641	5221SL00560	5221LL00561	5221NG00561	5221NG00562	

FT7000 GAUGE PARTS LIST

FT7013-1-□□□M

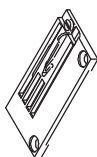
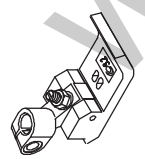
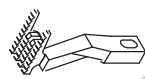
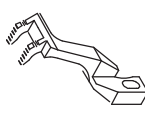
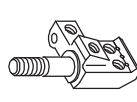
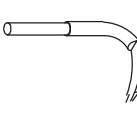
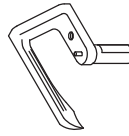

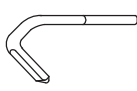

Main Parts 更換零件	Throat plate 針板	Presser foot asm 壓腳	Main feed dog 主送布齒	Diff feed dog 副送布齒	Needle clamp 針留	Upper looper 上結線鉤	Lower looper 下結線鉤	Needle guide 前導針	Needle guide 後導針	Needle 針
4.0	5222TP13404	5220PF00404	5221FD0564 5221DX0025	5221DF1350 5221DF0025	5220NC00400	5221SL00560	5221LL00561	5221NG00561	5221NG00562	UY128GAS #11
4.8	5222TP13484	5220PF00484	5221FD0564 5221DX0025	5221DF1350 5221DF0025	5220NC00480	5221SL00560	5221LL00561	5221NG00561	5221NG00562	
5.6	5222TP13564	5220PF00564	5221FD0564 5221DX0025	5221DF1350 5221DF0025	5220NC00561	5221SL00560	5221LL00561	5221NG00561	5221NG00562	
6.4	5222TP13644	5220PF00644	5221FD0644 5221DX0026	5221DF1360 5221DF0026	5220NC00641	5221SL00560	5221LL00561	5221NG00561	5221NG00562	

FT7013-2-□□□M

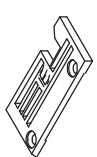
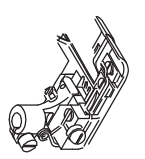
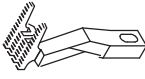
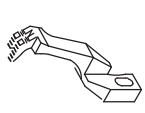
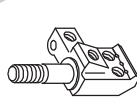
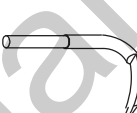
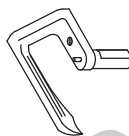

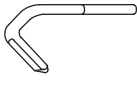

Main Parts 更換零件	Throat plate 針板	Presser foot asm 壓腳	Main feed dog 主送布齒	Diff feed dog 副送布齒	Needle clamp 針留	Upper looper 上結線鉤	Lower looper 下結線鉤	Needle guide 前導針	Needle guide 後導針	Needle 針
4.0	5222TP13402	5220PF00404	5221FD0564 5221DX0021	5221DF0056 5221DF0021	5220NC00400	5221SL00560	5221LL00561	5221NG00561	5221NG00562	UY128GAS #11
4.8	5222TP13482	5220PF00484	5221FD0564 5221DX0021	5221DF0056 5221DF0021	5220NC00480	5221SL00560	5221LL00561	5221NG00561	5221NG00562	
5.6	5222TP13562	5220PF00564	5221FD0564 5221DX0021	5221DF0056 5221DF0021	5220NC00561	5221SL00560	5221LL00561	5221NG00561	5221NG00562	
6.4	5222TP13642	5220PF00644	5221FD0644 5221DX0022	5221DF0065 5221DF0022	5220NC00641	5221SL00560	5221LL00561	5221NG00561	5221NG00562	

FT7000 GAUGE PARTS LIST

FT7015-0-0232M

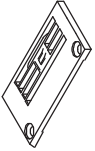
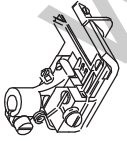
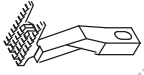
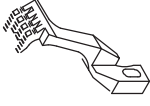

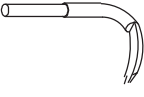
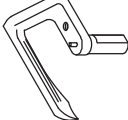

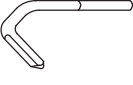

Main Parts 更換零件 機針											Needle 針	UY128GAS #11
Models	3.2	5221TP15320	5221EF00564 5221DG00027	5221DF15320	5220NC00400	5221SL00560	5221LL00561	5221NG00561	5221NG00562	UY128GAS #11		

FT7039-0-□□□M

Main Parts 更換零件 機針											Needle 針	UY128GAS #11
Models	4.0	5221PF09404	5221EF09560 5221DG0012	5221DF09560	5220NC00400	5221SL00560	5221LL00561	5221NG00561	5221NG00562	UY128GAS #11		
	4.8	5221PF09484	5221EF09560 5221DG0012	5221DF09560	5220NC00480	5221SL00560	5221LL00561	5221NG00561	5221NG00562			
	5.6	5221PF09564	5221EF09560 5221DG0012	5221DF09560	5220NC00561	5221SL00560	5221LL00561	5221NG00561	5221NG00562			
	6.4	5221PF09644	5221EF09560 5221DG0012	5221DF09560	5220NC00641	5221SL00560	5221LL00561	5221NG00561	5221NG00562			

FT7000 GAUGE PARTS LIST

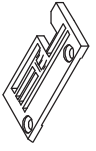
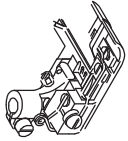
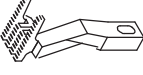
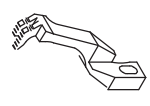

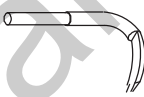
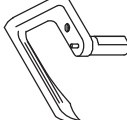



FT7039-1-□□□M

Main Parts 更換零件 針 機型 Models	 Throat plate 針板	 Presser foot asm 壓腳	 Main feed dog 主送布齒	 Diff feed dog 副送布齒	 Needle clamp 針留	 Upper looper 上結線鉤	 Lower looper 下結線鉤	 Needle guide 前導針	 Needle guide 後導針	 Needle 針	5.6	UY128GAS # 11			
											5221PF39561	5221FD00564	5221DC30021	5221DR00563	5220NC00561
											6.4	UY128GAS # 11			
												5221PF39640	5221LL00561	5221NG00561	5221NG00562

*
*

*OPTION-MAKE TO ORDER

FT7039-2-□□□M

Main Parts 更換零件 針 機型 Models	 Throat plate 針板	 Presser foot asm 壓腳	 Main feed dog 主送布齒	 Diff feed dog 副送布齒	 Needle clamp 針留	 Upper looper 上結線鉤	 Lower looper 下結線鉤	 Needle guide 前導針	 Needle guide 後導針	 Needle 針	4.0	UY128GAS # 11			
											5221PP09404	5221FD39560	5221DC30012	5221DR09560	5220NC00400
											4.8	UY128GAS # 11			
												5221PP09484	5221LL00561	5221NG00561	5221NG00562
											5.6	UY128GAS # 11			
												5221PP09564	5221LL00561	5221NG00561	5221NG00562
											6.4	UY128GAS # 11			
												5221PP09644	5221LL00561	5221NG00561	5221NG00562

FT7000 GAUGE PARTS LIST

FT7039-0-□□□M/TC008

Main Parts 更換 零件	Throat plate 針板	Presser foot asm 壓腳	Main feed dog 主送布齒	Diff feed dog 副送布齒	Needle clamp 針留	Upper looper 上結線鈎	Lower looper 下結線鈎	Needle guide 前導針	Needle guide 後導針	Needle 針	UY128GAS #11
機 型 距	Models										

FT7060-0-4□□□M

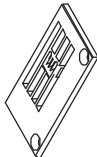



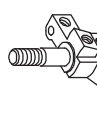
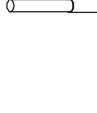




Main Parts 更換 零件	Throat plate 針板	Presser foot asm 壓腳	Main feed dog 主送布齒	Diff feed dog 副送布齒	Needle clamp 針留	Upper looper 上結線鈎	Lower looper 下結線鈎	Needle guide 前導針	Needle guide 後導針	Needle 針	UY118GKS #10
機 型 距	Models										

*

*OPTION-MAKE TO ORDER

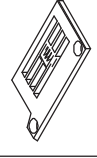
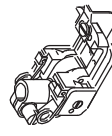
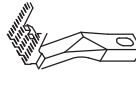
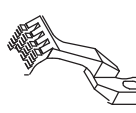
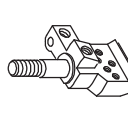
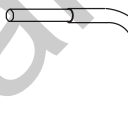
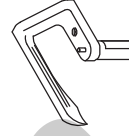

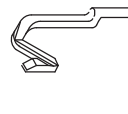

FT7000 GAUGE PARTS LIST

FT7060-1-4 □□M

Main Parts 更換零件 機型 針距 Models										
	Throat plate 針板	Presser foot asm 壓腳	Main feed dog 主送布齒	Diff feed dog 副送布齒	Needle clamp 針留	Upper looper 上結線鈎	Lower looper 下結線鈎	Needle guide 前導針	Needle guide 後導針	Needle 針
5.2	5221TP60520	5221PF60520	5221FD60560 5221DG0013	5221DF60560	5221NC60520	5221SL00560	5221LL00561	5221NG00561	5221NG60561	SCHMETZ Cantur 34/22 NMF75 #11
5.6	5221TP60560	5221PF60560	5221FD60560 5221DG0013	5221DF60560	5221NC60560	5221SL00560	5221LL00561	5221NG00561	5221NG60561	
6.0	5221TP60600	5221PF60600	5221FD60560 5221DG0013	5221DF60560	5221NC60600	5221SL00560	5221LL00561	5221NG00561	5221NG60561	
6.4	5221TP60640	5221PF60640	5221FD60560 5221DG0013	5221DF60560	5221NC00640	5221SL00560	5221LL00561	5221NG00561	5221NG60561	

*OPTION-MAKE TO ORDER

FT7060-0-4 □□M/KI002

Main Parts 更換零件 機型 針距 Models										
	Throat plate 針板	Presser foot asm 壓腳	Main feed dog 主送布齒	Diff feed dog 副送布齒	Needle clamp 針留	Upper looper 上結線鈎	Lower looper 下結線鈎	Needle guide 前導針	Needle guide 後導針	Needle 針
5.2	5221TP60520	5221PF60520	5221FD60560 5221DG0013	5221DF60560	5221NC60520	5221SL00560	5221LL00561	5221NG00561	5221NG60561	UY118GKS #10
5.6	5221TP60560	5221PF60560	5221FD60560 5221DG0013	5221DF60560	5221NC60560	5221SL00560	5221LL00561	5221NG00561	5221NG60561	
6.0	5221TP60600	5221PF60600	5221FD60560 5221DG0013	5221DF60560	5221NC60600	5221SL00560	5221LL00561	5221NG00561	5221NG60561	
6.4	5221TP60640	5221PF60640	5221FD60560 5221DG0013	5221DF60560	5221NC00640	5221SL00560	5221LL00561	5221NG00561	5221NG60561	

*OPTION-MAKE TO ORDER

FT7000 GAUGE PARTS LIST

FT7069-0-□□□M

Main Parts 更換零件 機型 針距 Models	Throat plate 針板	Presser foot assem 壓腳	Main feed dog 主送布齒	Diff feed dog 副送布齒	Needle clamp 針留	Upper looper 上結線鉤	Lower looper 下結線鉤	Needle guide 前導針	Needle guide 後導針	Needle 針
4.0	5228TP69401	5221PP09404	5228FD69560 5228DG1001	5228DF69560	5220NC00400	5221SL00560	5221LL00561	522ING00561	522ING00562	UY128GAS #11
4.8	5228TP69481	5221PP09484	5228FD69560 5228DG1001	5228DF69560	5220NC00480	5221SL00560	5221LL00561	522ING00561	522ING00562	
5.6	5228TP69561	5221PP09564	5228FD69560 5228DG1001	5228DF69560	5220NC00561	5221SL00560	5221LL00561	522ING00561	522ING00562	
6.4	5228TP69641	5221PP09644	5228FD69560 5228DG1001	5228DF69560	5220NC00641	5221SL00560	5221LL00561	522ING00561	522ING00562	

FT7069-1-□□□M

Main Parts 更換零件 機型 針距 Models	Throat plate 針板	Presser foot assem 壓腳	Main feed dog 主送布齒	Diff feed dog 副送布齒	Needle clamp 針留	Upper looper 上結線鉤	Lower looper 下結線鉤	Needle guide 前導針	Needle guide 後導針	Needle 針
5.6	5220TP00564	5221PPS9561	5221FD00564 5221DG0021	5221DF00563	5220NC00561	5221SL00560	5221LL00561	522ING00561	522ING00562	UY128GAS #11
6.4	5220TP00642	5221PPS9640	5221FD00644 5221DG0022	5221DF00643	5220NC00641	5221SL00560	5221LL00561	522ING00561	522ING00562	

*

*

*OPTION-MAKE TO ORDER

FT7000 GAUGE PARTS LIST

FT7069-2-□□□M

Main Parts 更換零件	Throat plate 針板	Presser foot asm 壓腳	Main feed dog 主送布齒	Diff feed dog 副送布齒	Needle clamp 針留	Upper looper 上結線鉤	Lower looper 下結線鉤	Needle guide 前導針	Needle guide 後導針	Needle 針	Models
4.0	5228TP69401	5221PPF09404	5228FD69560 5228DC0001	5228DF69560	5220NC00400	5221SL00560	5221LL00561	5221NG00561	5221NG00562	UY128GAS # 11	5221NG00562
4.8	5228TP69481	5221PPF09484	5228FD69560 5228DC0001	5228DF69560	5220NC00480	5221SL00560	5221LL00561	5221NG00561	5221NG00562		5221NG00562
5.6	5228TP69561	5221PPF09564	5228FD69560 5228DC0001	5228DF69560	5220NC00561	5221SL00560	5221LL00561	5221NG00561	5221NG00562		5221NG00562
6.4	5228TP69641	5221PPF09644	5228FD69560 5228DC0001	5228DF69560	5220NC00641	5221SL00560	5221LL00561	5221NG00561	5221NG00562		5221NG00562

FT7069-0-□□□M/TC009

Main Parts 更換零件	Throat plate 針板	Presser foot asm 壓腳	Main feed dog 主送布齒	Diff feed dog 副送布齒	Needle clamp 針留	Upper looper 上結線鉤	Lower looper 下結線鉤	Needle guide 前導針	Needle guide 後導針	Needle 針	Models
5.6	5228TP69562	5221PPF09564	5228FD69560 5228DC0001	5228DF69560	5220NC00561	5221SL00560	5221LL00561	5221NG00561	5221NG00562	UY128GAS # 11	5221NG00562
6.4	5228TP69642	5221PPF09644	5228FD69560 5228DC0001	5228DF69560	5220NC00641	5221SL00560	5221LL00561	5221NG00561	5221NG00562		5221NG00562

FT7000 GAUGE PARTS LIST

FT7200-0-0□□□□H
 FT7200-0-0□□□□H

Main Parts 更換零件	機型	針距	Throat plate 針板	Presser foot asm 壓腳	Main feed dog 主送布齒	Diff feed dog 副送布齒	Needle clamp 針留	Upper looper 上結線鉤	Lower looper 下結線鉤	Needle guide 前導針	Needle guide 後導針	Needle 針
Models	5.6		5220TP00567	5220PF00563	5221FDX0566 5221DC0006	5221DR00561	5220NC00561	5221SL00560	5221LL00561	5221NG00561	5221NG00562	UY128GAS # 14
	6.4		5220TP00645	5220PF00643	5221FDX0566 5221DC0006	5221DR00561	5220NC00641	5221SL00560	5221LL00561	5221NG00561	5221NG00562	

garudan.cz

www.garudan.cz